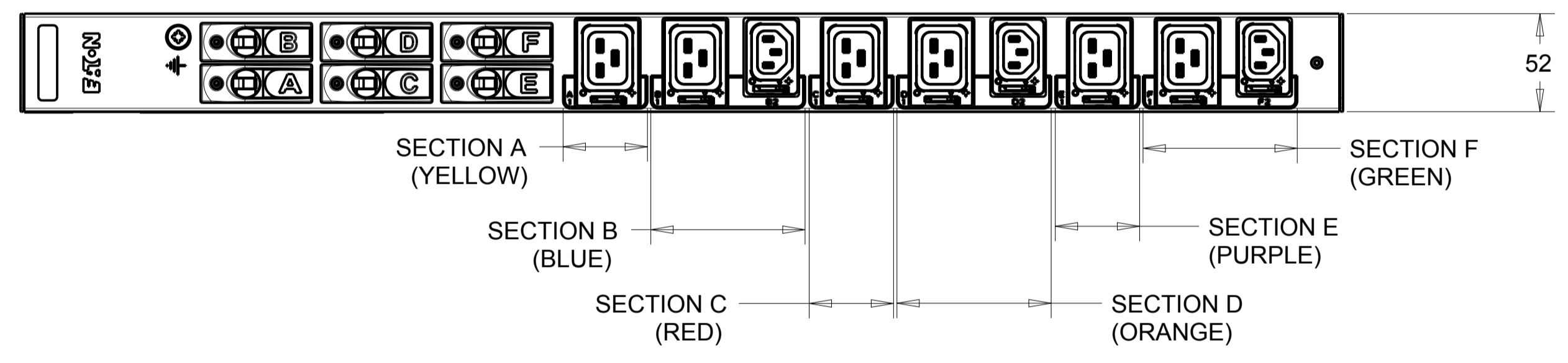
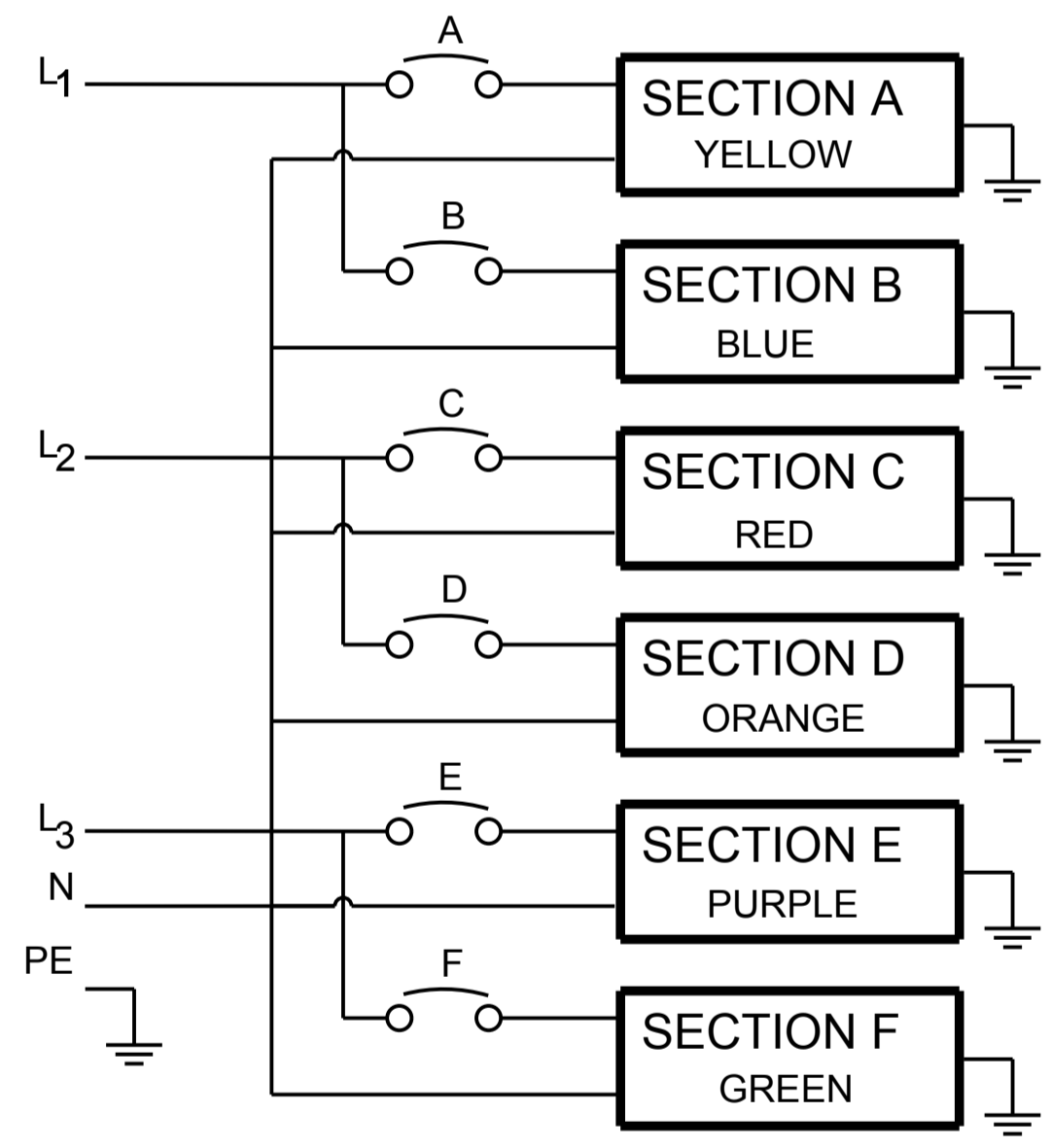


CABLE LENGTH SHOWN NOT TO SCALE

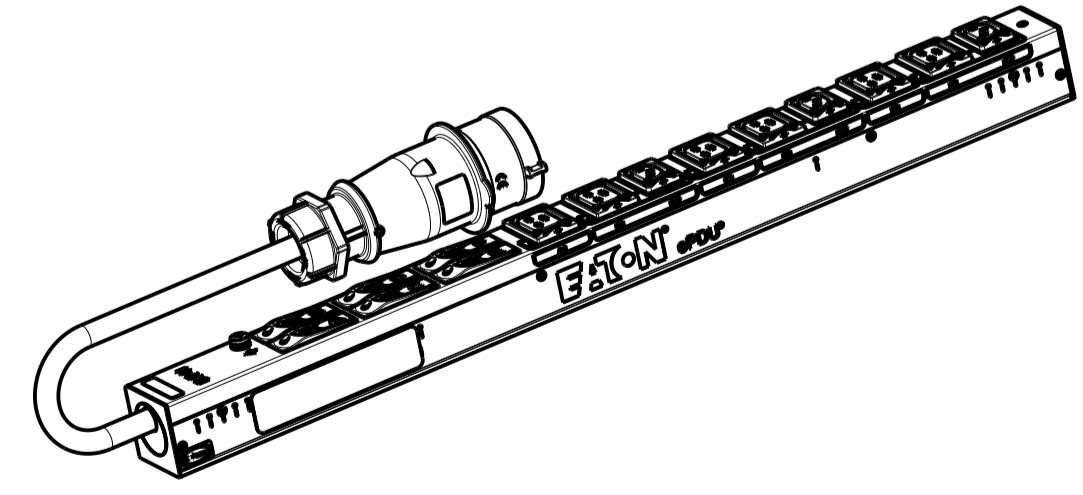


CIRCUIT SCHEMATIC



EBAB01 G3 BASIC

FUNCTIONALITY	INPUT	OUTPUT	ENVIRONMENTAL
NONE	IEC 60309-2 32A 400V~ WYE, 3W+N+PE 4.0MM HO7 POWER CORD CABLE LENGTH: 3.0M	(3) IEC 60320 C13 GRIP (6) IEC 60320 C19 GRIP	0 TO 60 °C
MECHANICAL	INPUT RATING	OUTPUT RATING	CERTIFICATIONS
LENGTH: 704MM WIDTH: 52 MM DEPTH: 53MM ALUMINIUM CHASSIS, BLACK MNT PATTERN SK-23919-Y1	3Ø;346-415V~; WYE, 3W+N+PE 50/60Hz 32A	200-240V~;50/60Hz 10A PER C13;16A PER C19 16A MAX PER SECTION 32A MAX TOTAL	CE, CB
CIRCUIT BREAKERS	FILTER AND SPIKE/SURGE	ACCESSORIES	CONFIGURATION
(6) 16A 1-POLE	NONE	STANDARD KSP014 - VERT INSTALLATION PACK OPTIONAL EMP001 - ENVIRONMENTAL PROBE	EBA3DH8FBJQ72AM



PICTORIAL VIEW
SCALE 0.200

01	FIXED GRAPHICS.	14.05.2014	G.McD.	M.B.
00	INITIAL RELEASE.	11.03.2014.		M.B.
REV	MODIFICATION	DATE	DESIGNER	VERIF.
		HEINEMANN PRODUCTS		VUE/VIEW 1ST ANGLE
		CH-1345 LE LIEU SWITZERLAND		ECHELLE / SCALE 4/10
				N° MAG EBAB01
				DESSINE LE / DRAWN THE 11.03.2014
				PAR / BY
				VERIFIE PAR / VERIFIED BY M.B.
TOLERANCE GENERALE / GENERAL TOLERANCE				
TRAITEMENT / FINISH NA				
MATIERE / MATERIAL NA				
NIVEAU DU CERTIFICAT DE SOUMISSION REQUIS / SAMPLES APPROVAL PROCESS REPORT X			DIMENSIONS AND TOLERANCES IN MILLIMETERS	
DESIGNATION EPDU BA 0U (309 32A 3P)3XC13:6XC19		SK-30619-Y1		01
COTES A CONTROLER / INSPECTION DIMENSIONS XX.XX		COTES FONCTIONNELLES / FUNCTIONAL DIMENSIONS # XX.XX		NUMERO DU PLAN / PLAN NUMBER
Ce document est propriété de Eaton Industries Manufacturing GmbH. Duplication interdite sans autorisation. This document is Eaton Industries Manufacturing GmbH property. Duplication forbidden without authorization.				