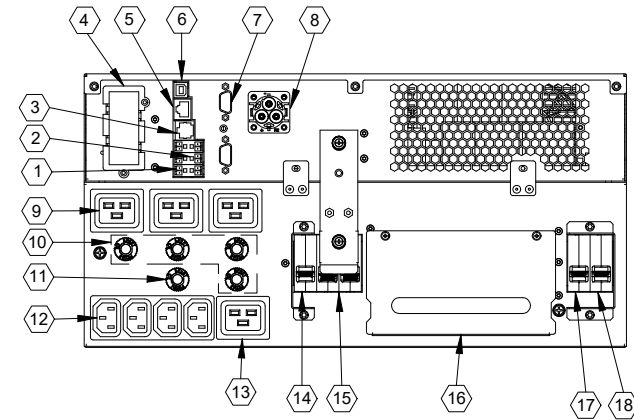
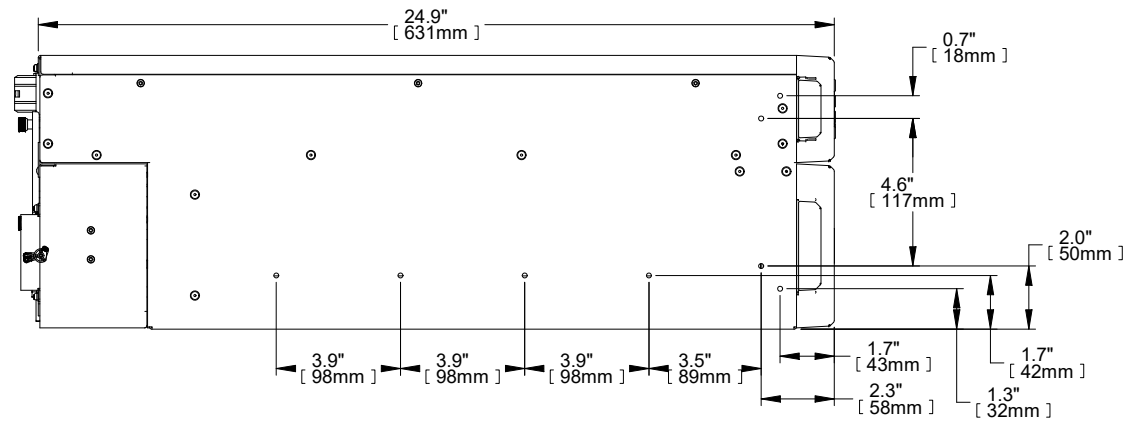


**FRONT VIEW**



**REAR VIEW**



**SIDE VIEW**

- ① TERMINAL BLOCK COMMUNICATION
- ② REPO (REMOTE EMERGENCY POWER OFF)
- ③ RS232
- ④ LIEBERT INTELLISLOT PORT
- ⑤ RS485
- ⑥ USB PORT
- ⑦ (2) DB9 PORTS (PARALLEL COMMUNICATION)
- ⑧ EXTERNAL BATTERY CONNECTOR
- ⑨ (3) C19 OUTPUT RECEPTACLES
- ⑩ (4) 16 AMP OUTPUT CIRCUIT BREAKERS
- ⑪ 10 AMP OUTPUT CIRCUIT BREAKER
- ⑫ (4) PROGRAMMABLE C13 OUTPUT RECEPTACLES
- ⑬ PROGRAMMABLE C19 OUTPUT RECEPTACLE
- ⑭ 63 AMP OUTPUT CIRCUIT BREAKER
- ⑮ 70 AMP MAINTENANCE BYPASS BREAKER
- ⑯ HARDWIRED POWER INPUT AND OUTPUT CONNECTIONS
- ⑰ 63 AMP BYPASS CIRCUIT BREAKER
- ⑱ 63 AMP INPUT CIRCUIT BREAKER

**NOTES:**

1. UNIT DIMENSIONS (WxDxH): 430mm x 631mm x 217mm (5U)  
(16.9") x (24.9") x (8.5")
2. UNIT WEIGHT: 70.0kg (154.3lbs)
3. SHIPPING DIMENSIONS (WxDxH): 646mm x 816mm x 520mm  
(25.4") x (32.1") x (20.5")
4. SHIPPING WEIGHT: 94.0kg (207.2lbs)
5. MINIMUM AIRFLOW CLEARANCE IS 4.0" (100mm) FRONT AND REAR.

DRAWN BY B. LAY	SHEET NO. 1 OF 1
CHK BY M. MCCLINCY	ECN NO.
REF. DWG.	ORDER NO.

OUTLINE DRAWING  
GXT5 8/10kVA  
230VAC RACK/TOWER UPS

DWG. NO. GXT5-8K_10KI_OD	DATE 1/30/19	REV. # 0	1050 DEARBORN DRIVE P.O. BOX 29186 COLUMBUS, OHIO 43229
-----------------------------	-----------------	-------------	---

FILE NAME: T:\dpgegng\GXT5\Submittals(A)\Outline Dwg\GXT5-8K\_10KI\_OD

