



The power behind competitiveness

Delta UPS accessory overview

Single phase 1-10kVA

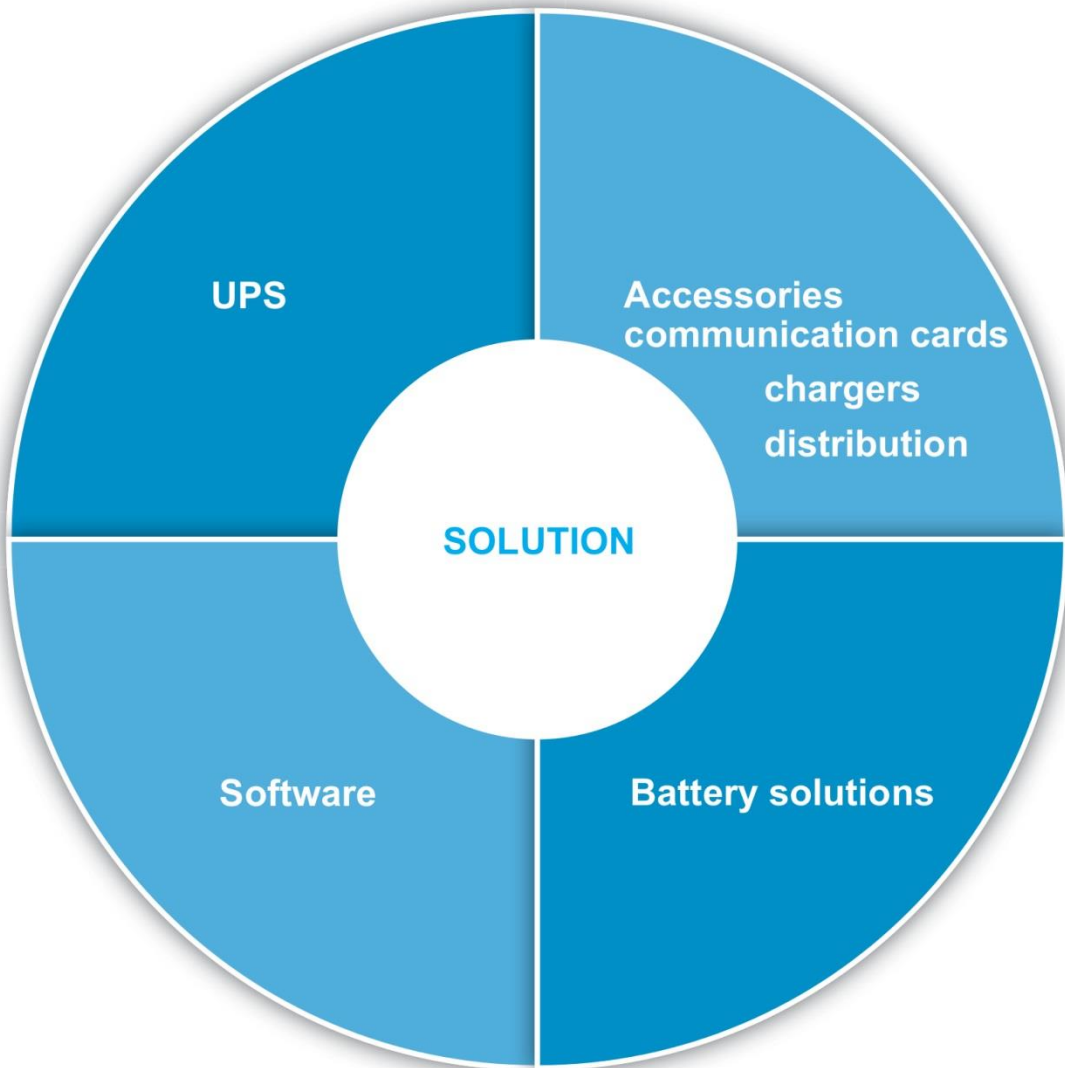
Accessory file

Delta MCIS solutions

Enterprise growth and IT equipment have become closely linked with clean energy and at the same time with need of providing of backup for cases when utility energy is not available It is one of the critical issues for IT managers today.

With 40 years of leadership in the core technologies of power electronics, the expert teams at Delta Electronics is developing efficeint and high quality solutions for end users.

This document is providing practical tool to combine UPS and accessory to make complete solution.



2007-2008
Forbes Asia's
Fabulous 50



2009 Frost & Sullivan
Green Excellence
Award for Corporate
Leadership



Delta's Manufacturing System is
Certified by ISO 9001 and
ISO 14001 Standards



IECQ Certificate of
Hazardous Substance
Process Management

Content

Content.....	3
UPS accessory table for MX series 1-3kVA UPS.....	6
UPS accessory table for N series 1-3kVA UPS	7
UPS accessory table for R series 1-3kVA UPS.....	8
UPS accessory table for RT series 1-3kVA UPS.....	9
UPS accessory table for single phase RT 5-10kVA UPS	10
1phase PDU table selection.....	11
Rail kit.....	12
Rail kits for RT 5-10kVA standard runtime model.....	13
Tower stand.....	14
Tower stand R/RT 1-20k.....	15
Tower stand expander R/RT 1-20k.....	16
SNMP card – Legacy IPv4.....	17
SNMP card – IPv6 all in one (AIO)	18
External Box for SNMP Card IPv6	19
Relay I/O card	20
Modbus card.....	21
Mini SNMP card.....	22
Mini relay I/O card.....	23
Mini Modbus card	24
Mini SNMP IPv6 card	25
Mini Relay I/O card (New)	26
Mini Modbus card (New).....	27
Air filter for N series 1kVA.....	28
Air filter for N series 2-3kVA.....	29
Air filter rivet for N series 1/2/3/6/10kVA	30
Air filter for R/RT series 2U.....	31
Air filter 3U for RT series 5-10kVA.....	32
Environmental probe.....	33
Battery charger 24V / 4A for R1 kVA (internal).....	34
Battery charger 48V / 4A for R2 kVA (internal).....	35
Battery charger 72V / 4A for R3 kVA (internal).....	36



Battery charger 24V (external)	37
Battery charger 48V (external)	38
Battery charger 72V (external)	39
Charger box “S”	40
Battery cable for R 1-3 kVA	41
Battery cable for RT 5-10 kVA – extended model	42
Battery cable for RT 5-10 kVA – EBC	43
Battery cabinet for RT 1kVA	44
Battery cabinet for RT 2kVA	45
Battery cabinet for RT 3kVA	46
Over voltage cutoff device for N / R / RT 1kVA	47
Over voltage cutoff device for N / R / RT 2-3kVA.....	48
Maintenance bypass box for R / RT 1kVA	49
Maintenance bypass box for R / RT 2-3kVA.....	50
Maintenance bypass box for single RT 5-10kVA	51
Maintenance bypass box for parallel RT 5-10kVA.....	52
Battery cabinet 2U for RT 5/6 kVA	53
Empty battery cabinet 2U for RT 5/6 kVA	54
Battery cabinet 3U for RT 5-10 kVA	55
Empty battery cabinet 3U for RT 5-10 kVA	56
RT 5-10kVA Li-ion EBC chassis	57
RT 5-10kVA Li-ion battery module	58
Power distribution unit – metered, 1phase, 16A.....	59
Power distribution unit – metered, 1phase, 32A.....	60
Power distribution unit – basic, 1phase, 32A.....	61
Power distribution unit – basic 1U, 1phase, 16A	62
MX Series, Single Phase, 1,1 / 2 / 3 kVA.....	63
N Series, Single Phase, 1/2/3 kVA	64
R Series, Single Phase, 1/2/3 kVA.....	65
RT Series, Single Phase, 1/2/3 kVA.....	66
RT Series, 5/6/8/10 kVA – standard model.....	67
RT Series, 5/6/8/10 kVA – extended model	68




How to use this document

Dear user.

On first pages of this document, you can find tables showing matrix of combination ups and accessory. In crossing cells are signs “o” which are linked to accessory. If you click on this link, it will move you directly to description of that particular accessory. In right top corner, you can find links back to matrix or to ups section.




UPS accessory table for MX series 1-3kVA UPS

Description	SAP no.	MX series		
		MX series 1,1kVA	MX series 2kVA	MX series 3kVA
(Exact SAP name, can be found on each accessory datasheet in this document)				
		UPA112M2MX0B035	UPA202M2MX0B035	UPA302M2MX0B035
RAIL KIT	3915100011	<input type="radio"/>	<input type="radio"/>	<input type="radio"/>
TOWER STAND	5100317500	<input type="radio"/>	<input type="radio"/>	<input type="radio"/>
MINI SNMP IPV6 CARD	SCMS100035	<input type="radio"/>	<input type="radio"/>	<input type="radio"/>
MINI RELAY I/O CARD (NEW)	3915101864-S	<input type="radio"/>	<input type="radio"/>	<input type="radio"/>
MINI MODBUS CARD (NEW)	3915101865-S	<input type="radio"/>	<input type="radio"/>	<input type="radio"/>
ENVIRONMENTAL PROBE	EMS1000000	<input type="radio"/>	<input type="radio"/>	<input type="radio"/>
OVCD 1kVA	PDB2211A250035	<input type="radio"/>		
OVCD 2kVA	PDB2211A251035		<input type="radio"/>	<input type="radio"/>




UPS accessory table for N series 1-3kVA UPS

Description	SAP no.	N series (New)		
		N series 1kVA	N series 2kVA	N series 3kVA
(Exact SAP name, can be found on each accessory datasheet in this document)				
		UPS102N2000B035	UPS202N2000B035	UPS302N2000B035
MINI SNMP IPV6 CARD (from Rev. 05)	SCMS100035	<input type="radio"/>	<input type="radio"/>	<input type="radio"/>
MINI RELAY I/O CARD (NEW) (from Rev. 05)	3915101864-S	<input type="radio"/>	<input type="radio"/>	<input type="radio"/>
MINI MODBUS CARD (NEW) (from Rev. 05)	3915101865-S	<input type="radio"/>	<input type="radio"/>	<input type="radio"/>
ENVIRONMENTAL PROBE (from Rev. 05)	EMS1000000	<input type="radio"/>	<input type="radio"/>	<input type="radio"/>
MINI SNMP CARD (Rev. 01-04)	3915100473-S	<input type="radio"/>	<input type="radio"/>	<input type="radio"/>
MINI RELAY I/O CARD (Rev. 01-04)	3915100474-S	<input type="radio"/>	<input type="radio"/>	<input type="radio"/>
MINI MODBUS CARD (Rev. 01-04)	3915100748-S	<input type="radio"/>	<input type="radio"/>	<input type="radio"/>
OVCD 1kVA	PDB2211A250035	<input type="radio"/>		
OVCD 2kVA	PDB2211A251035		<input type="radio"/>	<input type="radio"/>
AIR FILTER FOR N 1KVA (10PCS INSIDE), Part 1 of 2	3242641000-S	<input type="radio"/>		
AIR FILTER FOR N 2/3KVA (10PCS INSIDE), Part 1 of 2	3242641100-S		<input type="radio"/>	<input type="radio"/>
AIR FILTER RIVET for N1/2/3/6/10kVA; Part 2	3353338000-S35	<input type="radio"/>	<input type="radio"/>	<input type="radio"/>




UPS accessory table for R series 1-3kVA UPS

Description	SAP no.	R series		
		R series 1kVA without battery	R series 2kVA without battery	R series 3kVA without battery
(Exact SAP name, can be found on each accessory datasheet in this document)				
		UPS102R2002N035	UPS202R2002N035	UPS302R2002N035
RAIL KIT	3915100011	<input type="radio"/>	<input type="radio"/>	<input type="radio"/>
TOWER STAND R/RT 1-20K	3915102146-S35	<input type="radio"/>	<input type="radio"/>	<input type="radio"/>
TOWER STAND EXPANDER R/RT 1-20K	3915102147-S35	<input type="radio"/>	<input type="radio"/>	<input type="radio"/>
MINI SNMP IPV6 CARD	SCMS100035	<input type="radio"/>	<input type="radio"/>	<input type="radio"/>
MINI RELAY I/O CARD (NEW)	3915101864-S	<input type="radio"/>	<input type="radio"/>	<input type="radio"/>
MINI MODBUS CARD (NEW)	3915101865-S	<input type="radio"/>	<input type="radio"/>	<input type="radio"/>
ENVIRONMENTAL PROBE	EMS1000000	<input type="radio"/>	<input type="radio"/>	<input type="radio"/>
MBB 1kVA (IEC C13x6)	PDB1211A230035	<input type="radio"/>		
MBB 2/3kVA (IEC C13x6,C19x1)	PDB1211A231035		<input type="radio"/>	<input type="radio"/>
OVCD 1kVA	PDB2211A250035	<input type="radio"/>		
OVCD 2kVA	PDB2211A251035		<input type="radio"/>	<input type="radio"/>
INTERNAL CHARGER 24VDC / 4A FOR R 1KVA	5505003294-SP	<input type="radio"/>		
INTERNAL CHARGER 48VDC / 4A FOR R 2KVA	5505003295-SP		<input type="radio"/>	
INTERNAL CHARGER 72VDC / 4A FOR R 3KVA	5505003296-SP			<input type="radio"/>
BATTERY CHARGER 24V (EXTERNAL)	5505001897-S-00	<input type="radio"/>		
BATTERY CHARGER 48V (EXTERNAL)	5505001894-S-00		<input type="radio"/>	
BATTERY CHARGER 72V (EXTERNAL)	5505001892-S-00			<input type="radio"/>
CHARGER BOX "S"	CHG751C262000-N	<input type="radio"/>	<input type="radio"/>	<input type="radio"/>
AIR FILTER FOR R/RT SERIES 2U	3246796000-S35	<input type="radio"/>	<input type="radio"/>	<input type="radio"/>
	3247040400-S35			
	3246824700-S35			




UPS accessory table for RT series 1-3kVA UPS

Description	SAP no.	RT series (Facelift)		
		RT series 1kVA	RT series 2kVA	RT series 3kVA
(Exact SAP name, can be found on each accessory datasheet in this document)				
		UPS102R2RT2B035	UPS202R2RT2B035	UPS302R2RT2B035
RAIL KIT	3915100011	<input type="radio"/>	<input type="radio"/>	<input type="radio"/>
TOWER STAND R/RT 1-20K	3915102146-S35	<input type="radio"/>	<input type="radio"/>	<input type="radio"/>
TOWER STAND EXPANDER R/RT 1-20K	3915102147-S35	<input type="radio"/>	<input type="radio"/>	<input type="radio"/>
SNMP CARD – LEGACY IPV4	3915100120-S	<input type="radio"/>	<input type="radio"/>	<input type="radio"/>
SNMP CARD – IPV6 ALL IN ONE (AIO)	3915100975-S35	<input type="radio"/>	<input type="radio"/>	<input type="radio"/>
ENVIRONMENTAL PROBE	EMS1000000	<input type="radio"/>	<input type="radio"/>	<input type="radio"/>
EXTERNAL BOX FOR SNMP CARD IPV6	3915100925-S35	<input type="radio"/>	<input type="radio"/>	<input type="radio"/>
RELAY I/O CARD	3915100147-S	<input type="radio"/>	<input type="radio"/>	<input type="radio"/>
MODBUS CARD	3915100422-S	<input type="radio"/>	<input type="radio"/>	<input type="radio"/>
MBB 1kVA (IEC C13x6)	PDB1211A230035	<input type="radio"/>		
MBB 2/3kVA (IEC C13x6,C19x1)	PDB1211A231035		<input type="radio"/>	<input type="radio"/>
OVCD 1kVA	PDB2211A250035	<input type="radio"/>		
OVCD 2kVA	PDB2211A251035		<input type="radio"/>	<input type="radio"/>
BATTERY CHARGER 24V (EXTERNAL)	5505001897-S-00	<input type="radio"/>		
BATTERY CHARGER 48V (EXTERNAL)	5505001894-S-00		<input type="radio"/>	
BATTERY CHARGER 72V (EXTERNAL)	5505001892-S-00			<input type="radio"/>
CHARGER BOX “S”	CHG751C262000-N	<input type="radio"/>	<input type="radio"/>	<input type="radio"/>
BATTERY CABINET FOR RT 1KVA	BBU022B109535	<input type="radio"/>		
BATTERY CABINET FOR RT 2KVA	BBU042B109535		<input type="radio"/>	
BATTERY CABINET FOR RT 3KVA	BBU062B109535			<input type="radio"/>
AIR FILTER FOR R/RT SERIES 2U	3246796000-S35	<input type="radio"/>	<input type="radio"/>	<input type="radio"/>
	3247040400-S35			
	3246824700-S35			



UPS accessory table for single phase RT 5-10kVA UPS

Description	SAP no.	RT series			
		RT-series 5kVA	RT-series 6kVA	RT-series 8kVA	RT-series 10kVA
(Exact SAP name, can be found on each accessory datasheet in this document)					
		UPS502R2RT0B035 * standard model UPS502R2RT2N035 ** extended model	UPS602R2RT0B035 * standard model UPS602R2RT2N035 ** extended model	UPS802R2RT0B035 * standard model UPS802R2RT2N035 ** extended model	UPS103R2RT0B035 * standard model UPS103R2RT2N035 ** extended model
RAIL KIT **	3915100011	○	○	○	○
RAIL KIT FOR STANDARD RT MODEL *	3313489100-S35	○	○	○	○
TOWER STAND RT 1-20K	3915102146-S35	○	○	○	○
TOWER STAND EXPANDER	3915102147-S35	○	○	○	○
MINI SNMP IPV6 CARD	SCMS100035	○	○	○	○
MINI RELAY I/O CARD (NEW)	3915101864-S	○	○	○	○
MINI MODBUS CARD (NEW)	3915101865-S	○	○	○	○
ENVIRONMENTAL PROBE	EMS1000000	○	○	○	○
RT 5-10kVA MBB (SINGLE)	PDB1511A531035	○	○	○	○
RT 5-10kVA MBB (PARALLEL)	PDB1512A511035	○	○	○	○
BATTERY CABINET 2U FOR RT 5/6 KVA	BBU161B107035	○	○		
EMPTY BATT CABINET 2U FOR RT 5/6 KVA	GES161B107035-N	○	○		
BATTERY CABINET 3U FOR RT 5-10 KVA	BBU201B109035	○	○	○	○
EMPTY BATT CAB 3U FOR RT 5-10 KVA	GES201B109035-N	○	○	○	○
RT 5-10KVA LI-ION EBC CHASSIS	GES011B704035	○	○	○	○
RT 5-10kVA Li-ion battery module	099114191A	○	○	○	○
BATT CABLE FOR EXTENDED MODEL**	3082322700	○	○	○	○
BATTERY CABLE FOR RT 5-10 KVA – EBC	3731727200	○	○	○	○
AIR FILTER 2U FOR RT SERIES 5-10KVA	3246796000-S35				
	3247040400-S35	○	○	○	○
	3246824700-S35				
AIR FILTER 3U FOR RT SERIES 5-10KVA*	3246796100-S35			○	○
	3246824800-S35				



1phase PDU table selection

Description	SAP no.	N series	R series	RT series 1-3 kVA	RT series 5-10 kVA	MX series
PDU – METERED, 1PHASE, 16A	PDU1311A2710001	o	o	o	o	o
PDU – METERED, 1PHASE, 32A	PDU1315A2810001				o	
PDU - BASIC, 1PHASE, 32A	PDU5315A2800000				o	
PDU – BASIC, 1U, 1PHASE, 16A	PDU7311A1200000	o	o	o	o	o



Rail kit

Back to: [MX series](#) / [N series](#) / [R series](#) /
[RT 1-3 kVA](#) / [RT 5-10 kVA](#)

PN: 3915100011

SAP NAME: F RAIL KITS ASSY DELTA STD

Description: Rail kit accessory is providing the possibility to mount Delta rack-mountable UPS inside the 19' rack cabinet.

Rail kit depth: 485mm to 815mm



Applicable to UPS:

- R series (optional, not in UPS package).
- MX series (optional, not in UPS package).
- RT series 1-3kVA (included in UPS package).
- RT series 5-10kVA extended runtime model.



Rail kits for RT 5-10kVA standard runtime model

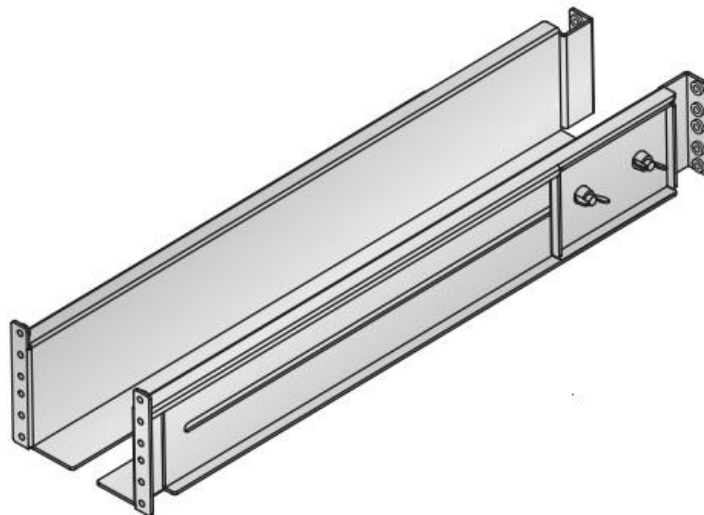
Back to: [MX series](#) / [N series](#) / [R series](#) /
[RT 1-3 kVA](#) / [RT 5-10 kVA](#)

PN: 3313489100-S35

SAP NAME: CASE SLIDEWAY SECC 455*88*47.3 T2

Description: Rail kit accessory for RT 5-10kVA standard runtime model is providing the possibility to mount Delta rack-mountable UPS inside the 19' rack cabinet.

Rail kit can sustain higher weight of UPS and battery.



Applicable to UPS:

- RT series 5-10kVA standard runtime model.



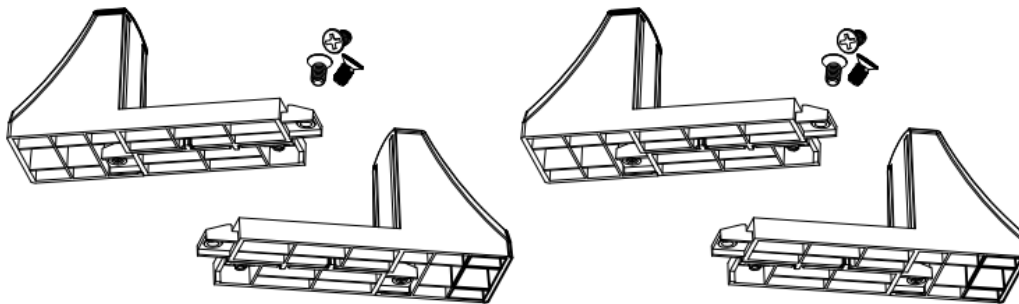
Tower stand

Back to: [MX series](#) / [N series](#) / [R series](#) /
[RT 1-3 kVA](#) / [RT 5-10 kVA](#)

PN: 5100317500

SAP NAME: TOWER STAND

Description: Tower stand kit allows installing rack-mountable UPS in tower position.



Applicable to UPS:

- MX series (in UPS package).



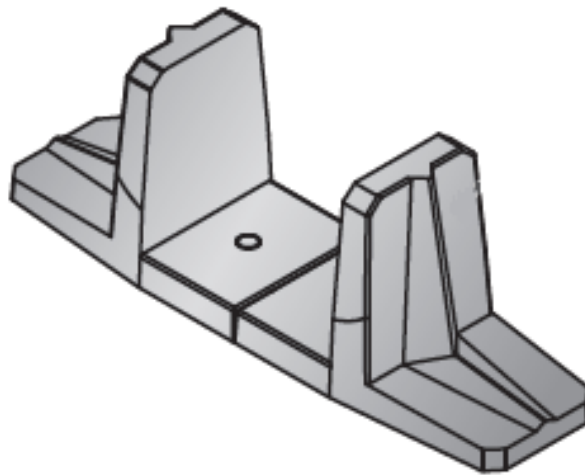
Tower stand R/RT 1-20k

Back to: [MX series](#) / [N series](#) / [R series](#) /
[RT 1-3 kVA](#) / [RT 5-10 kVA](#)

PN: 3915102146-S35

SAP NAME: TOWER STAND RT 1-20K

Description: Tower stand kit allows installing rack-mountable UPS in tower position - 2U size.
Includes 4 feet for 2U installation.



Applicable to UPS:

- R series 1-3kVA
- RT series 1-3kVA
- RT series 5-10kVA (in UPS package)



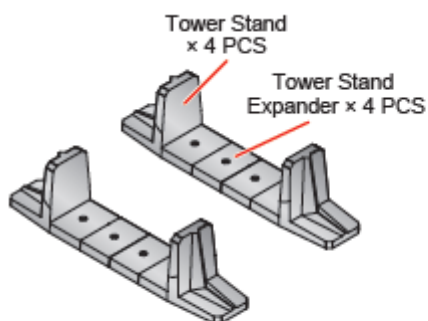
Tower stand expander R/RT 1-20k

Back to: [MX series](#) / [N series](#) / [R series](#) /
[RT 1-3 kVA](#) / [RT 5-10 kVA](#)

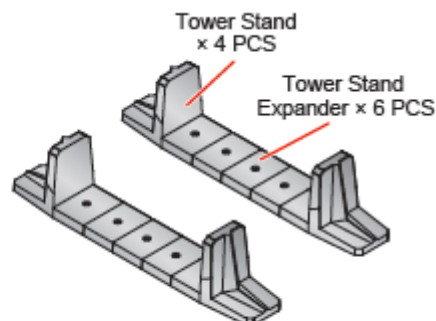
PN: 3915102147-S35

SAP NAME: EXTENDER RT1-20K

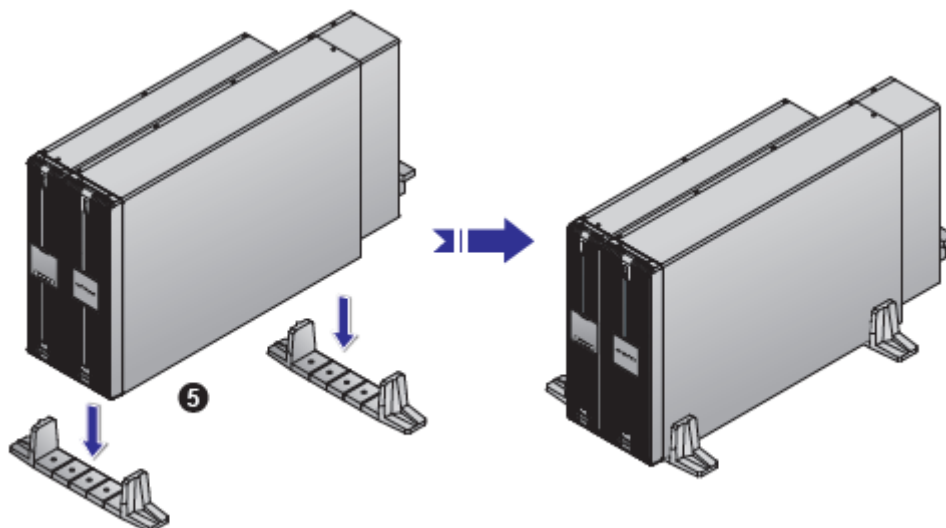
Description: Tower stand expander allows installing rack-mountable UPS with battery in tower position – additional 2U size. Includes 2 expanders.



**Assemble the Tower
Stands for 5/ 6kVA UPS**



**Assemble the Tower
Stands for 8/ 10kVA UPS**



Applicable to UPS:

- R series 1-3kVA
- RT series 1-3kVA
- RT series 5-10kVA



SNMP card – Legacy IPv4

Back to: [MX series](#) / [N series](#) / [R series](#) /
[RT 1-3 kVA](#) / [RT 5-10 kVA](#)

PN: 3915100120-S

SAP NAME: F SNMP CARD FOR DELTA

Description: SNMP card is additional communication interface between UPS and the network. Allows UPS remote control and monitoring through network. Card can be installed into all types of UPS with Smart slot.



Technical specifications:

Network Connection	10 / 100M RJ45 connector
Operation temperature	0 - 40°C
Operation humidity	10 - 80 %
Input power	9 - 24 VDC
Power consumption	< 1W
Dimensions	130 x 60 mm
Weight	58 g

Features: Supported network protocols:

- SNMPv1 protocol, accepts NMS monitoring as well as actively sends Trap packets to target hosts.
- HTTP - monitor and set up through network browser with built-in web server.
- Telnet, TFTP, FTP, BOOTP, SMTP, SNTP and WOL.
- MIB - supports RFC1628 and custom defined UPSv4 MIB.

Management:

- Regular power on and off with possibility to set UPS on and off time.
- Regular testing - battery discharge test to ensure the battery is in good condition.
- Smart power off will send power off signal to connected host actively if the host computer has the InsightPower Client or SNMP power off proxy installed.
- Optional environment sensor can integrate ambient temperature and humidity for total cabinet monitoring.

Diagnosis:

- Event log - keep date, time, and event sequence in event log file.
- History records - Keep date, time, and UPS parameter data. Can be exported into XLS file for further processing.

Reactions to events:

- UPS shutdown - Define delay time for UPS power off to avoid deep discharge.
- Email - send email notification to predefined recipients in case of power event.

Applicable to UPS:

- RT series 1-3kVA.



SNMP card – IPv6 all in one (AIO)

Back to: [MX series](#) / [N series](#) / [R series](#) /
[RT 1-3 kVA](#) / [RT 5-10 kVA](#)

PN: 3915100975-S35

SAP NAME: SNMP CARD ALL-IN-ONE PDC/STS/COOLING/UPS

Description: SNMP card is additional communication interface between UPS and the network. Card allows UPS remote control and monitoring through network and can be installed into all types of UPS with Smart slot, except N-series and R-series.



Technical specifications:

Network Connection	10 / 100M RJ45 connector
Operation temperature	0 - 60°C
Operation humidity	10 - 90 % (Non condensing)
Input power	12 VDC
Power consumption	< 2W
Dimensions	130 x 60 mm
Weight	75 g

Features: Supported network protocols:

- SNMPv1 and SNMPv3 protocol, accepts NMS monitoring as well as actively sends Trap packets to target hosts.
- HTTP/HTTPS - monitor and set up through network browser with built-in web server.
- Telnet, SSH, FTP, SFTP, BOOTP, DHCP, SMTP, SNTP and RADIUS, Syslog.
- MIB - supports RFC1628 and custom defined UPSv4 and UPSv5 MIB.

Management:

- Regular power on and off with possibility to set UPS on and off time.
- Regular testing - battery discharge test to ensure the battery is in good condition.
- Smart power off will send power off signal to connected host actively if the host computer has the InsightPower Client or SNMP power off proxy installed.
- Optional environment sensor can integrate ambient temperature and humidity for total cabinet monitoring.

Diagnosis:

- Event log - keep date, time, and event sequence in event log file.
- History records - Keep date, time, and UPS parameter data. Can be exported into XLS file for further processing.

Reactions to events:

- UPS shutdown - Define delay time for UPS power off to avoid deep discharge.
- Email - send email notification to predefined recipients in case of power event.

Applicable to UPS:

- RT series 1-3kVA.



External Box for SNMP Card IPv6

Back to: [MX series](#) / [N series](#) / [R series](#) /
[RT 1-3 kVA](#) / [RT 5-10 kVA](#)

PN: 3915100925-S35

SAP NAME: F EXTERNAL BOX FOR IPV6 SNMP CARD

Description: External box is possible to use in UPS with RS232 port, that does not have smart slot or where second smart slot is necessary. External box requires for operation 12VDC external power supply (not included in box package).



Technical specifications:

Power Jack	Input power 12 VDC
RS232 port	D-Sub 9-Pin Male
10-Pin connector	Male
Dimensions (WxDxH)	92,4 x 208 x 42 mm
Weight	540 g

Applicable to UPS:

- R series.
- RT series.
- MX series.



Relay I/O card

Back to: [MX series](#) / [N series](#) / [R series](#) /
[RT 1-3 kVA](#) / [RT 5-10 kVA](#)

PN: 3915100147-S

SAP NAME: F RELAY I/O CARD F FOR UPS

Description: Relay I/O card expands communication ability of the UPS and can be installed in Smart slot. Card allows monitoring of UPS with 6 output programmable dry contacts. 1 input dry contact can be set as UPS shutdown or



Technical specifications:

Operation temperature	0 - 40°C
Operation humidity	10 - 80 %
Input voltage	8-20 VDC
Power consumption	1,2W
Dimensions	130 x 60 mm
Weight	200 g
Output contact rating	24VD C/ 1A
Input contact rating	24VD C/ 10mA

Features:

- UPS status information presented as 6 contact closures.
- Programmable output contacts, monitors the UPS events that users really concern in different application practices.
- Output relays can be configured to either NC (Normal Close) or NO (Normal Open).
- Configurable UPS shutdown delay time.
- Configurable input signal as shutdown UPS or battery test.

Applicable to UPS:

- RT series 1-3kVA.



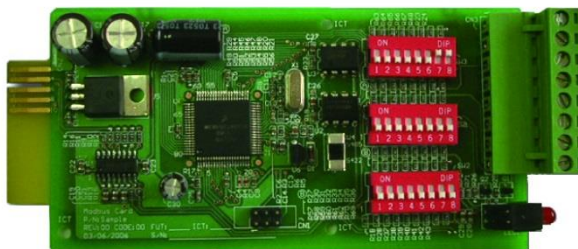
Modbus card

Back to: [MX series](#) / [N series](#) / [R series](#) /
[RT 1-3 kVA](#) / [RT 5-10 kVA](#)

PN: 3915100422-S

SAP NAME: F MODBUS CARD FOR DELTA (TW)

Description: Convert status and parameter data of UPS to comply with the standard Modbus protocol. Modbus card can be installed in UPS Smart slot.



Technical specifications:

Operation temperature	0 - 40°C
Operation humidity	10 - 80 %
Input voltage	8-20 VDC
Power consumption	1,2W
Dimensions	130 x 60 mm
Weight	150 g

Features:

- Communications interface: 1 x RS232 port; 1 x RS485 or RS422.
- Device ID can be set to any number between 0-255.
- Terminating resistance of RS485 / 422 can be set by dip switch.
- Supports Modbus RTU format.
- Baud rate: 2400, 4800, 9600 or 19200.
- Data bit: 7 or 8.
- Parity check: Null, even or odd.

Applicable to UPS:

- RT series 1-3kVA.



Mini SNMP card

Back to: [MX series](#) / [N series](#) / [R series](#) /
[RT 1-3 kVA](#) / [RT 5-10 kVA](#)

PN: 3915100473-S

SAP NAME: F SNMP CARD (MINI) FOR DCE

Description: SNMP card is additional communication interface between UPS and the network. Card allows UPS remote control and monitoring through network. Card can be installed into UPS with Mini card slot.



Technical specifications:

Network Connection	RJ-45 connector
Operating Temperature	0 - 40° C
Operating Humidity	10 - 80 %
Power Input	3.3V DC
Power Consumption	1 Watt Maximum
Size	60.5 mm x 40 mm (L x W)
Weight	30 g

Features:

- SNMP agent and web server implemented for UPS.
- Supports the following protocols: ARP, IP, ICMP, SNMPv1, SNMPv3 USM, UDP, TCP, HTTP, FTP, TFTP, SMTP, BOOTP, SNTP, DN and Telnet.
- Security login by MD5.
- Users level management.
- Firmware upgrade for new features through TFTP.
- Batch configuration through FTP.
- Saves UPS event log and history values in EEPROM.
- Schedules shutdown, restart and test UPS.
- Wake On LAN packet to wakeup PC.
- Sends e-mail and SNMP trap to notify users.
- Provides InsightPower Client software to protect public operating systems.
- Provides InsightPower Manager to monitor all of the UPS information in the network.
- Provides InsightPower EzSetting software to easily configure the first time and upgrade firmware.

Applicable to UPS:

- N series Rev. 01-04



Mini relay I/O card

Back to: [MX series](#) / [N series](#) / [R series](#) /
[RT 1-3 kVA](#) / [RT 5-10 kVA](#)

PN: 3915100474-S

SAP NAME: F DRY CONTACT CARD (MINI) FOR DCE

Description: Mini Relay I/O card expands communication ability of the UPS and can be installed in Mini card slot. Card allows monitoring of UPS by 3 output programmable dry contacts.



Technical specifications:

Size	68 X 43 mm
Weight	35g
Operating Temperature	0 - 40° C
Operating Humidity	10 - 80 %
Power Input	8 - 20V DC
Power Consumption	0.8 Watts

Features:

- UPS status information presented as 3 contact closures.
- Configurable input signal as shutdown UPS or battery test.
- Programmable output contacts, monitors UPS events that users are most concerned about for various applications.
- Configurable UPS shutdown delay time.
- Protects up to 3 computers.
- Unattended graceful shutdown.

Applicable to UPS:

- N series Rev. 01-04



Mini Modbus card

Back to: [MX series](#) / [N series](#) / [R series](#) /
[RT 1-3 kVA](#) / [RT 5-10 kVA](#)

PN: 3915100748-S

SAP NAME: F MODBUS CARD (MINI) FOR DCE

Description: Convert status and parameter data of UPS to comply with the standard Modbus protocol. Card can be installed in UPS Mini card slot.



Technical specifications:

Size	68 x 43 mm
Weight	40 g
Operating Temperature	0 - 40° C
Operating Humidity	10 - 80 %
Power Input	12V DC
Power Consumption	0.5 Watts

Features:

- Communications interface: 1 x RS232 port; 1 x RS485 or RS422.
- Device ID can be set to any number between 0-255.
- Terminating resistance of RS485 / 422 can be set by dip switch.
- Supports Modbus RTU format.
- Baud rate: 2400, 4800, 9600 or 19200.
- Data bit: 7 or 8.
- Parity check: Null, even or odd.

Applicable to UPS:

- N series Rev. 01-04.



Mini SNMP IPv6 card

Back to: [MX series](#) / [N series](#) / [R series](#) /
[RT 1-3 kVA](#) / [RT 5-10 kVA](#)

PN: SCMS100035

SAP NAME: SNMP CARD INSIGHTPOWER G3 MINI (IPV6)

Description: Mini SNMP IPv6 card provides communication interface between UPS and network. Card allows remote control and monitoring of the UPS through network. Card has to be install in UPS with Mini card slot.



Technical specifications:

Network Connection	RJ-45 connector (10/100M)
Operating Temperature	0 - 60° C
Operating Humidity	0 - 90 %
Power Input	12V DC
Power Consumption	2 Watts maximum
Size	87 x 70 x 30 mm (W x D x H)
Weight	75 g

Features:

- Network UPS management - allows monitoring of the UPS using Delta MIB (Management Information Base), Internet Browser.
- Configure UPS and system functions from any client (password protected).
- Keep event logs and metering data - provides a history data of UPS power events, power quality, UPS status and battery condition.
- Notification of users via SNMP Traps, Informs and e-mail through SMTP.
- Telnet, BOOTP/DHCP, NTP.
- HTTPS, SSH, SFTP and SNMPv3 security protocols.
- Remote event log management through syslog.
- IPv4, IPv6 protocols.
- Modbus TCP.

Applicable to UPS:

- N series from Rev. 05.
- R series.
- RT series 5-10kVA.
- MX series.



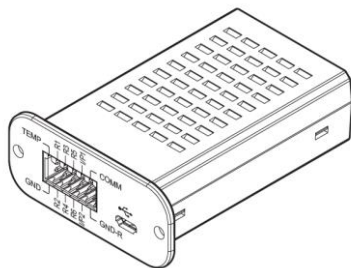
Mini Relay I/O card (New)

Back to: [MX series](#) / [N series](#) / [R series](#) /
[RT 1-3 kVA](#) / [RT 5-10 kVA](#)

PN: 3915101864-S

SAP NAME: MINI RELAY I/O CARD DELTA

Description: Mini Relay I/O card expands communication ability of the UPS and has to be install in Mini card slot. Card allows monitoring of UPS with 6 output programmable dry contacts and controls with 2 input contacts.



Technical specifications:

Size	87 x 69 x 30 mm
Weight	70 g
Operating Temperature	0 - 50° C
Operating Humidity	10 - 80 %
Power Input	12 ± 3V DC
Power Consumption	3 Watts

Features:

- UPS status information available in 6 programmable output contacts (NO/NC).
- Configurable 2 input contacts as UPS shutdown or battery test.
- Configurable UPS shutdown delay time.
- Temperature detection port for temperature sensor.

Applicable to UPS:

- N series from Rev. 05.
- R series.
- RT series 5-10kVA.
- MX series.



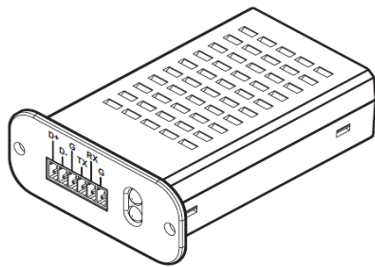
Mini Modbus card (New)

Back to: [MX series](#) / [N series](#) / [R series](#) /
[RT 1-3 kVA](#) / [RT 5-10 kVA](#)

PN: 3915101865-S

SAP NAME: MINI MODBUS CARD DELTA

Description: Convert status and parameter data of UPS to standard Modbus RTU protocol. Card has to be install in UPS Mini card slot.



Technical specifications:

Size	87 x 69 x 30 mm
Weight	50 g
Operating Temperature	0 - 50° C
Operating Humidity	5 - 95 %
Power Input	12 ± 2V DC
Power Consumption	1,5 Watt

Features:

- Provide UPS the functionality of communication with MODBUS protocol.
- Implementation of MODBUS RTU protocol.
- Provide MODBUS function including Read Coils/Discrete Inputs/Holding Registers/Input Registers and Write Single Coil/Single Register.
- Provide RS-485 and RS-232 interfaces. PC can communicate with UPS through RS-485 or RS-232 or both simultaneously. RS-485 interface supports half duplex and full duplex connection.
- Provide LED alarm.
- Except MODBUS protocol, also support 3Phase/Regular protocols. Users can select communication protocol through function switches.

Applicable to UPS:

- N series from Rev. 05.
- R series.
- RT series 5-10kVA.
- MX series.



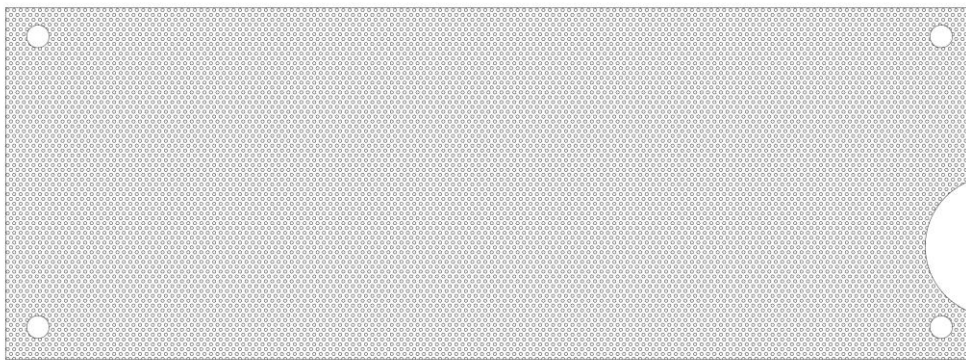
Air filter for N series 1kVA

Back to: [MX series](#) / [N series](#) / [R series](#) /
[RT 1-3 kVA](#) / [RT 5-10 kVA](#)

PN: 3242641000-S

SAP NAME: SPARE PART FILTER FOR N1K

Description: Dust filter for N 1kVA series UPS. Package contains 10 pieces of air filters.



Applicable to UPS:

- N series 1kVA.



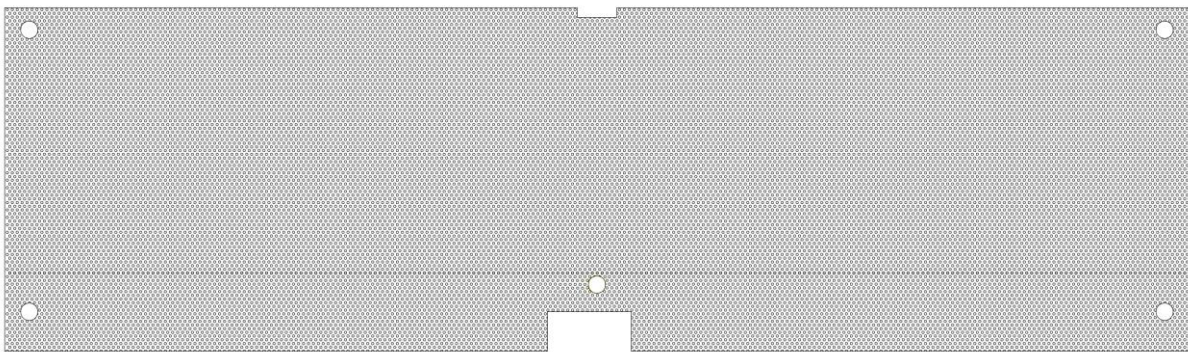
Air filter for N series 2-3kVA

Back to: [MX series](#) / [N series](#) / [R series](#) /
[RT 1-3 kVA](#) / [RT 5-10 kVA](#)

PN: 3242641100-S

SAP NAME: SPARE PART FILTER FOR N2-3K

Description: Dust filter for N 2-3kVA series UPS. Package contains 10 pieces of air filters.



Applicable to UPS:

- N series 2-3 kVA.



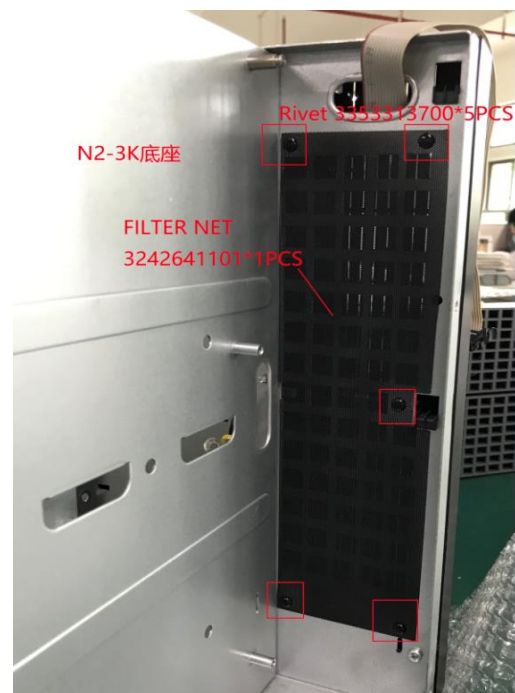
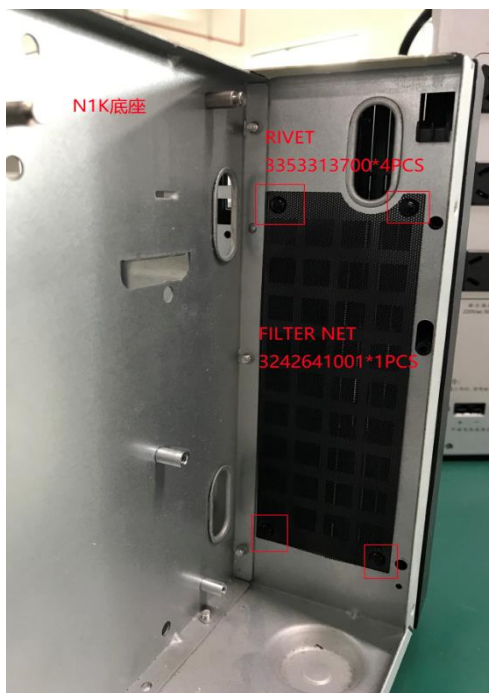
Air filter rivet for N series 1/2/3/6/10kVA

Back to: [MX series](#) / [N series](#) / [R series](#) /
[RT 1-3 kVA](#) / [RT 5-10 kVA](#)

PN: 3353338000-S35

SAP NAME: RIVET PA V-2 6.3*3.6 BLK RT5-10K

Description: Dust filter rivets for N 1/2/3/6/10kVA series UPS. Package contains 50 pieces of rivets.



Applicable to UPS:

- N series 1/2/3/6/10 kVA.



Air filter for R/RT series 2U

Back to: [MX series](#) / [N series](#) / [R series](#) / [RT 1-3 kVA](#) / [RT 5-10 kVA](#)

PN: 3246796000-S35

SAP NAME: FILTER PC VTM-0 172*80*0.25 BLK 2U

Description: New 2U filter - 1/3, left filter for new R/RT 1-3kVA, RT5-10 extended runtime model (2U dimension) and new RT 5-10kVA standard runtime model (upper part). Package box contains 10 dust filters.

PN: 3247040400-S35

SAP NAME: FILTER PC VTM-0 169*80*0.25 BLK

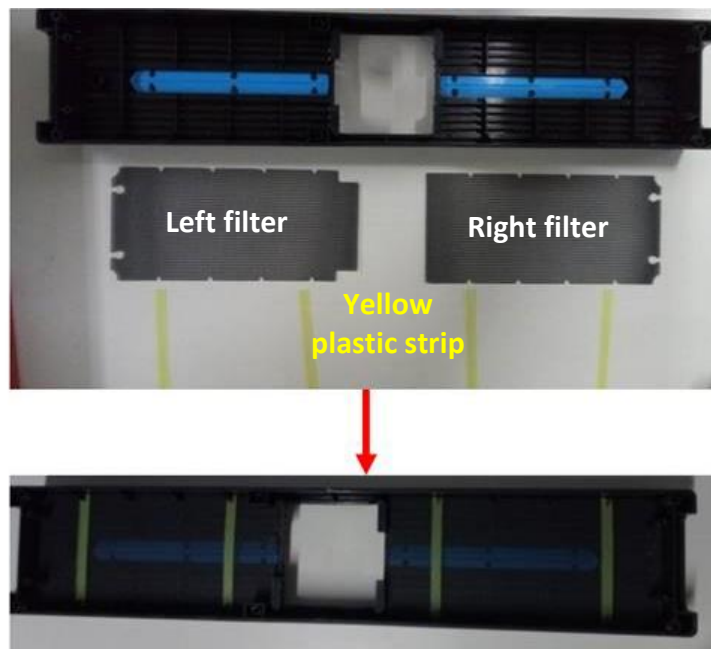
Description: New 2U filter - 2/3, right filter for new R/RT 1-3kVA, RT5-10 extended runtime model (2U dimension) and new RT 5-10kVA standard runtime model (upper part). Package box contains 10 dust filters.

PN: 3246824700-S35

SAP NAME: INSULATOR FR-4 V-0 80*6*0.5 YEL

Description: New 2U filter - 3/3, yellow plastic strip to fix the filters on the front panel for new R/RT 1-3kVA, RT5-10 extended runtime model (2U dimension) and new RT 1-6kVA standard runtime model (upper part). Package box contains 40pcs of stripes.

Please place order for the all 3 PNs simultaneously that you can get the complete air filter solution



Applicable to UPS:

- R series 1-3kVA
- RT series 1-3kVA and RT series 5-10 kVA extended model and upper part of standard model.



Air filter 3U for RT series 5-10kVA

Back to: [MX series](#) / [N series](#) / [R series](#) /
[RT 1-3 kVA](#) / [RT 5-10 kVA](#)

PN: 3246796100-S35

SAP NAME: FILTER PC VTM-0 414*122*0.25 BLK 3U

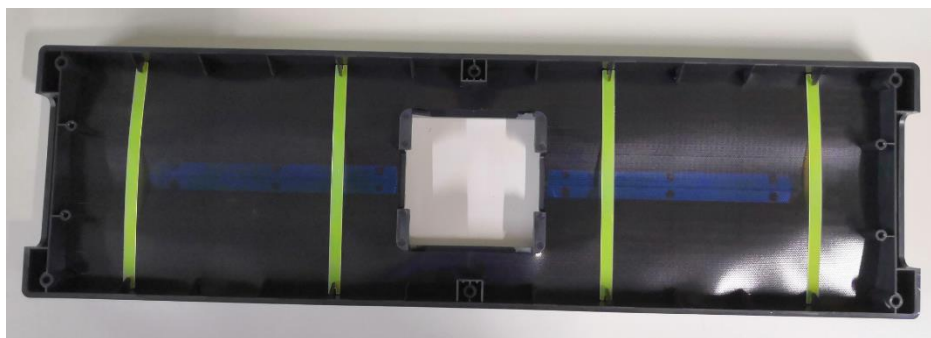
Description: New 3U filter - 1/2, filter for new RT 5-10kVA standard runtime model (bottom part). Package box contains 10pcs of dust filters.

PN: 3246824800-S35

SAP NAME: INSULATOR FR-4 V-0 122*6*0.5 YEL

Description: New 3U filter - 2/2, yellow plastic strip to fix the filters on the front panel of new RT 5-10kVA standard runtime model (bottom part). Package box contains 40pcs of plastic stripes.

Please place order for the both 2 PNs simultaneously that you can get the complete air filter solution



Applicable to UPS:

- RT series 8/10 kVA bottom part of standard model.



Environmental probe

Back to: [MX series](#) / [N series](#) / [R series](#) /
[RT 1-3 kVA](#) / [RT 5-10 kVA](#)

PN: EMS1000000

SAP NAME: F ENVIRONMENT PROBE (TEMP+HUM.+4 CONTACT)

Description: Real time temperature and humidity monitoring with 4 dry inputs. Support SNMP, RS232 or RS485 communication protocols. Probe must be connected to UPS SNMP card.



Technical specifications:

Model	EMS1000
Input	Connect to UPS SNMP card: 12Vdc (pin 1 & 4) with PDU SNMP card: 5Vdc (pin 2 & 4)
Dimensions (WxDxH)	66 x 99 x 30 mm
Weight	120g
Temperature	±1°C @ 15 - 35°C ±2°C @ 0 - 15°C and 35 - 45°C
Relative humidity	20 - 90%
Humidity accuracy	± 10% from 15 - 35°C
Height	0 - 3,000 m
Safety regulation compliance	CE, EN55022 Class B, EN55024

Features:

- LCD display.
- Ambient temperature and humidity monitoring.
- Four dry input signal connectors.
- Supports SNMP communications protocol.

Applicable to UPS:

- N series from Rev. 05.
- R series.
- MX series.
- RT series.



Battery charger 24V / 4A for R1 kVA (internal)

Back to: [MX series](#) / [N series](#) / [R series](#) /
[RT 1-3 kVA](#) / [RT 5-10 kVA](#)

PN: 5505003294-SP

SAP NAME: PWB ASSY EXTRA CHARGER BD R1K

Description: Additional internal battery charger (up to 4A) for 2pcs battery strings – 24V nominal voltage. Charger has to be installed inside the UPS.



Technical specifications:

Model	24V charger board (2 battery)
Input voltage	130-300 VAC (full load)
Input frequency	45-65 Hz
Charger current	4 A
Charger voltage	19-28 VDC

Applicable to UPS:

- R series 1kVA.



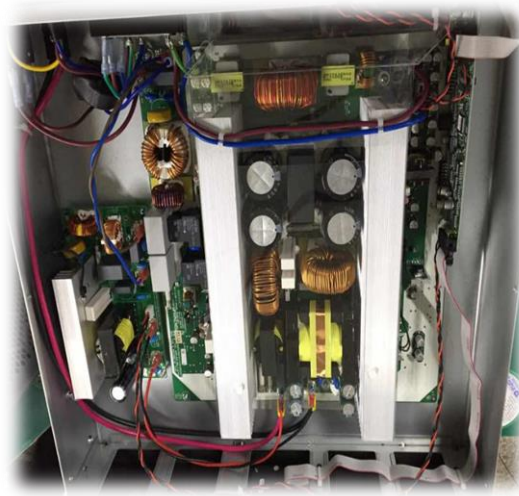
Battery charger 48V / 4A for R2 kVA (internal)

Back to: [MX series](#) / [N series](#) / [R series](#) /
[RT 1-3 kVA](#) / [RT 5-10 kVA](#)

PN: 5505003295-SP

SAP NAME: PWB ASSY EXTRA CHARGER BD R2K

Description: Additional internal battery charger (up to 4A) for 4pcs battery strings – 48V nominal voltage. Charger has to be installed inside the UPS.



Technical specifications:

Model	48V charger board (4 battery)
Input voltage	130-300 VAC (full load)
Input frequency	45-65 Hz
Charger current	4 A
Charger voltage	47-56 VDC

Applicable to UPS:

- R series 2kVA.



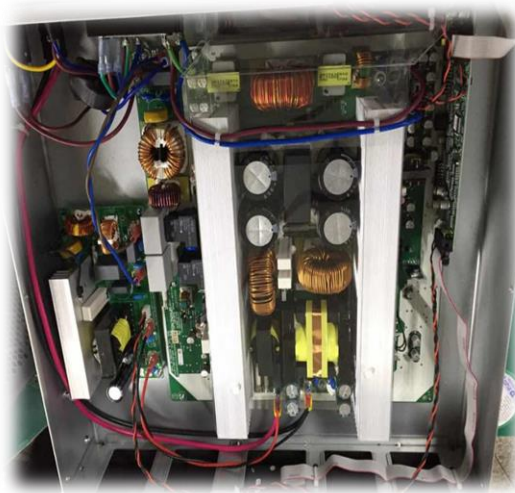
Battery charger 72V / 4A for R3 kVA (internal)

Back to: [MX series](#) / [N series](#) / [R series](#) /
[RT 1-3 kVA](#) / [RT 5-10 kVA](#)

PN: 5505003296-SP

SAP NAME: PWB ASSY EXTRA CHARGER BD R3K

Description: Additional internal battery charger (up to 4A) for 6pcs battery strings – 72V nominal voltage. Charger has to be installed inside the UPS.



Technical specifications:

Model	72V charger board (6 battery)
Input voltage	130-300 VAC (full load)
Input frequency	45-65 Hz
Charger current	4 A
Charger voltage	75-84 VDC

Applicable to UPS:

- R series 3kVA.



Battery charger 24V (external)

Back to: [MX series](#) / [N series](#) / [R series](#) /
[RT 1-3 kVA](#) / [RT 5-10 kVA](#)

PN: 5505001897-S-00

SAP NAME: F PWB ASSY 24V CHARGER BD

Description: Additional battery charger for 2pcs battery strings – 24V nominal voltage. Charger has to be installed in external charger box [CHG751C262000-N](#).



Technical specifications:

Model	24V charger board (2 battery)
Input voltage	130-300 VAC (full load)
Input frequency	45-65 Hz
Input current	<4 A
Input protection	4 A fuse
Output power	200 W ± 20W
Charger voltage	19-27,4 V
Charger current	8 A
Output protection	10 A

Applicable to UPS:

- R-series 1kVA (external).
- RT-series 1kVA (external).
- RT-series 1kVA – necessary to make cable connection from charger box to battery with Anderson connector.



Battery charger 48V (external)

Back to: [MX series](#) / [N series](#) / [R series](#) /
[RT 1-3 kVA](#) / [RT 5-10 kVA](#)

PN: 5505001894-S-00

SAP NAME: F PWB ASSY 48V CHARGER BD

Description: Additional battery charger for 4pcs battery strings – 48V nominal voltage. Charger has to be installed in external charger box [CHG751C262000-N](#).



Technical specifications:

Model	48 V charger board (4 battery)
Input voltage	130-300 VAC (full load)
Input frequency	45-65 Hz
Input current	<4 A
Input protection	4 A fuse
Output power	350 W ± 35 W
Charger voltage	38-54,8 V
Charger current	7 A
Output protection	10 A

Applicable to UPS:

- R-series 2kVA (external).
- RT-series 2kVA (external).
- RT-series 2kVA – necessary to make cable connection from charger box to battery cabinet with Anderson connector.



Battery charger 72V (external)

Back to: [MX series](#) / [N series](#) / [R series](#) /
[RT 1-3 kVA](#) / [RT 5-10 kVA](#)

PN: 5505001892-S-00

SAP NAME: F PWB ASSY 72V CHARGER BD

Description: Additional battery charger for 6pcs battery strings – 72V nominal voltage. Charger has to be installed in external charger box [CHG751C262000-N](#).



Technical specifications:

Model	72 V charger board (6 battery)
Input voltage	130-300 VAC (full load)
Input frequency	45-65 Hz
Input current	<4 A
Input protection	4 A fuse
Output power	375 W \pm 37,5 W
Charger voltage	57-82,2 V
Charger current	5 A
Output protection	10 A

Applicable to UPS:

- R-series 3kVA (external).
- RT-series 3kVA (external).
- RT-series 3kVA – necessary to make cable connection from charger box to battery cabinet with Anderson connector.



Charger box “S”

Back to: [MX series](#) / [N series](#) / [R series](#) /
[RT 1-3 kVA](#) / [RT 5-10 kVA](#)

PN: CHG751C262000-N

SAP NAME: F CHARGE FOR 2/3/4/6PCS BATTERY NO

Description: 19" empty charger box for all external charger boards for RT 1-3kVA, N 1-3kVA and R 1-3 kVA Application. Maximum 2 charger boards in one charger box.



MODEL	CHG-24V-8A-1	CHG-24V-8A-2	CHG-36V-8A-1	CHG-36V-8A-2	CHG-48V-7A-1	CHG-48V-7A-2	CHG-72V-5A-1	CHG-72V-5A-2
INPUT								
Voltage	130-300 Vac (Full load)							
Frequency	45-65 Hz							
Current	< 4 A							
Power Factor	> 0,97							
Protection	4 A fuse per charger board							
OUTPUT								
Output Power	200W±20W	400W ±40W	300W±30W	600W±60W	350W±35W	700W±70W	375W±37,5W	750W±75W
Charger Voltage	19V-27,4V		28,5V-41,1V		38V-54,8V		57V-82,2V	
Charger Current	8A	16A	8A	16A	7A	14A	5A	10A
Protection	10 A fuse per charger board							
PHYSICAL								
Dimensions (D x W x H)	384 x 440 x 88,5 mm (terminal block included) 334 x 440 x 88,5 mm (terminal block excluded)							
Weight	4 kg							

Applicable to UPS:

- R series 1/2/3kVA (external).
- RT series 1/2/3kVA (external).
- RT series 1- 3kVA – necessary to make cable connection from charger box to battery with Anderson connector.



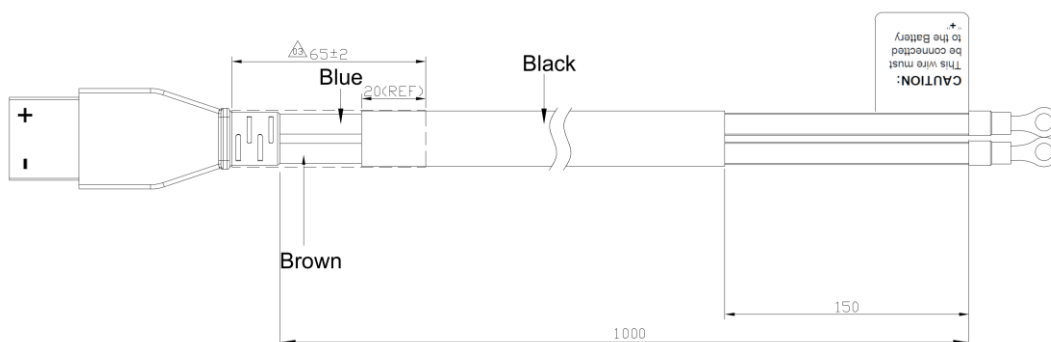
Battery cable for R 1-3 kVA

Back to: [MX series](#) / [N series](#) / [R series](#) /
[RT 1-3 kVA](#) / [RT 5-10 kVA](#)

PN: 3082236701

SAP NAME: DC POWER CORD HOUSING TERMINAL 2C L1000

Description: 1m battery cable with one end open for connection of customized batteries. This cable is designed for R series (long backup) UPS models.



Applicable to UPS:

- R series.



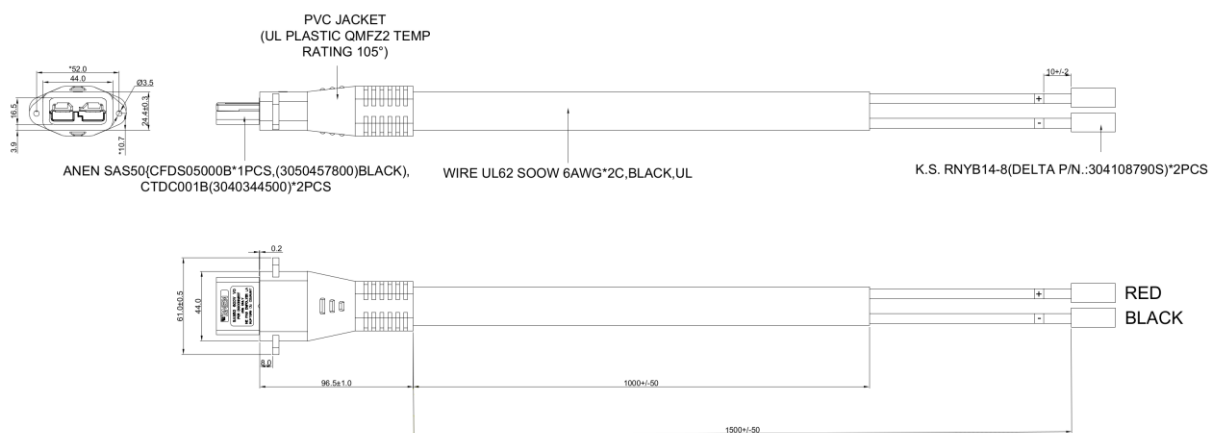
Battery cable for RT 5-10 kVA – extended model

Back to: [MX series](#) / [N series](#) / [R series](#) /
[RT 1-3 kVA](#) / [RT 5-10 kVA](#)

PN: 3082322700

SAP NAME: DC POWER CORD CONN TERMINAL 2P L1500

Description: 1,5m battery cable with one end open for connection of customized batteries. This cable is designed for RT series 5-10 kVA extended runtime model.



Applicable to UPS:

- RT series 5-10 kVA.



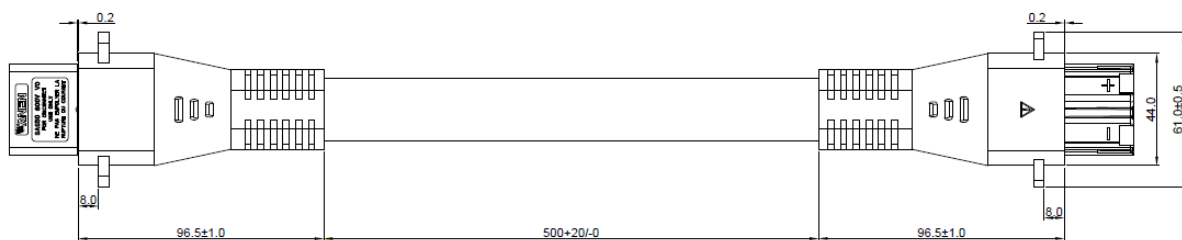
Battery cable for RT 5-10 kVA – EBC

Back to: [MX series](#) / [N series](#) / [R series](#) /
[RT 1-3 kVA](#) / [RT 5-10 kVA](#)

PN: 3731727200

SAP NAME: BATT CABLE ASSY UL62 6AWG*2C L500

Description: 0,5m battery cable for connection of UPS and battery cabinet. This cable is a part of EBC package.



Applicable to UPS:

- RT series 5-10 kVA.



Battery cabinet for RT 1kVA

Back to: [MX series](#) / [N series](#) / [R series](#) /
[RT 1-3 kVA](#) / [RT 5-10 kVA](#)

PN: BBU022B109535

SAP NAME: UPS SUPPORT KIT 2-2-9 RT-SERIES (EBC) WB

Description: External battery cabinet for RT 1kVA UPS for extended backup time. Cabinet contains 2 strings of 2 pcs 12V/9Ah batteries. Battery cable with Anderson connector is built-in.



Technical specifications:

Dimensions (WxDxH)	440 x 335 x 89 mm
Weight	15kg
Nominal battery voltage	24VDC
Battery type	Vision HPS12-36W (9Ah)
Battery no.	4 pcs (2 string of 2 batteries)
Connector	Anderson battery connector

Runtime table:

UPS	Load %	10	20	30	40	50	60	70	80	90	100
RT 1 kVA/0,9 kW	UPS load (W)	90	180	270	360	450	540	630	720	810	900
	Backup (min)	43	26	18	13	10	8,5	6,5	5,5	4,5	3,5
RT 1kVA + EBC	Backup (min)	200	140	90	63	48	39	32	27	24	20

Applicable to UPS:

- RT series 1kVA.



Battery cabinet for RT 2kVA

Back to: [MX series](#) / [N series](#) / [R series](#) /
[RT 1-3 kVA](#) / [RT 5-10 kVA](#)

PN: BBU042B109535

SAP NAME: UPS SUPPORT KIT 4-2-9 RT-SERIES (EBC) WB

Description: External battery cabinet for RT 2kVA UPS for extended backup time. Cabinet contains 2 strings of 4 pcs 12V/9Ah batteries. Battery cable with Anderson connector is built-in.



Technical specifications:

Dimensions (WxDxH)	440 x 432 x 89 mm
Weight	27kg
Nominal battery voltage	48VDC
Battery type	Vision HPS12-36W (9Ah)
Battery no.	8 pcs (2 string of 4 batteries)
Connector	Anderson battery connector

Runtime table:

UPS	Load %	10	20	30	40	50	60	70	80	90	100
RT 2kVA/1,8kW	UPS load (W)	180	360	540	720	900	1080	1260	1440	1620	1800
	Backup (min)	60	33	21	15	11,5	9,3	7,5	6,3	5,3	4,5
RT 2kVA + EBC	Backup (min)	200	140	90	63	49	39	32	28	24	20

Applicable to UPS:

- RT series 2kVA.



Battery cabinet for RT 3kVA

Back to: [MX series](#) / [N series](#) / [R series](#) /
[RT 1-3 kVA](#) / [RT 5-10 kVA](#)

PN: BBU062B109535

SAP NAME: UPS SUPPORT KIT 6-2-9 RT-SERIES (EBC) WB

Description: External battery cabinet for RT 3kVA UPS for extended backup time. Cabinet contains 2 strings of 6 pcs 12V/9Ah batteries. Battery cable with Anderson connector is built-in.



Technical specifications:

Dimensions (WxDxH)	440 x 619 x 89 mm
Weight	44kg
Nominal battery voltage	72VDC
Battery type	Vision HPS12-36W (9Ah)
Battery no.	12 pcs (2 string of 6 batteries)
Connector	Anderson battery connector

Runtime table:

UPS	Load %	10	20	30	40	50	60	70	80	90	100
RT 3kVA/2,7kW	UPS load (W)	270	540	810	1080	1350	1620	1890	2160	2430	2700
	Backup (min)	68	35	22,5	16	12	9,5	7,8	6,5	5,4	4,5
RT 3kVA + EBC	Backup (min)	250	150	105	72	58	45	38	32	28	25

Applicable to UPS:

- RT series 3kVA.



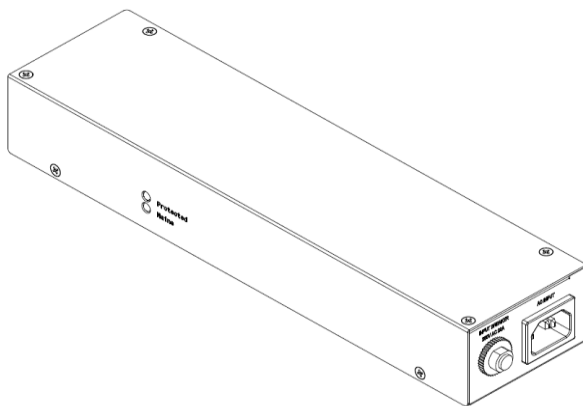
Over voltage cutoff device for N / R / RT 1kVA

Back to: [MX series](#) / [N series](#) / [R series](#) /
[RT 1-3 kVA](#) / [RT 5-10 kVA](#)

PN: PDB2211A250035

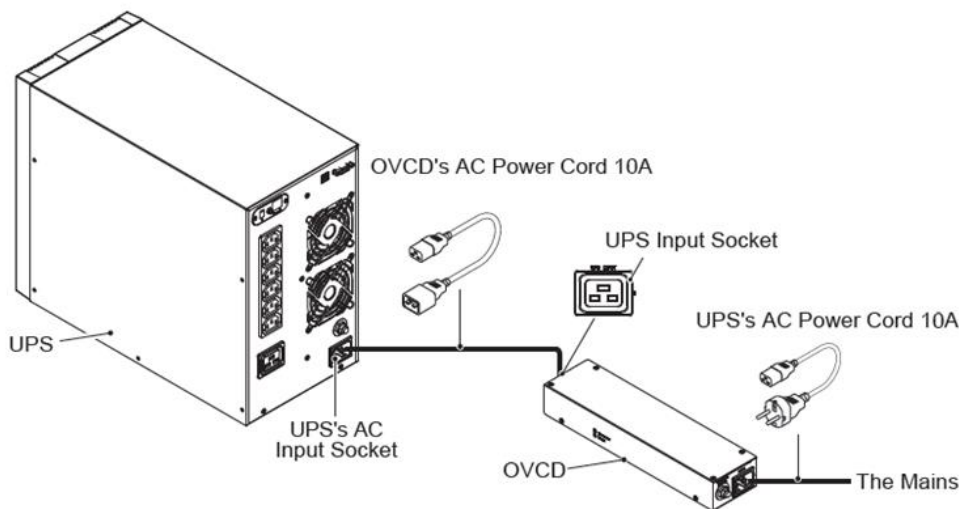
SAP NAME: OVCD-10A WITH SURGE PROTECTION

Description: Over voltage cutoff device (OVCD) prevents the abnormal high voltage from entering into and damaging the UPS. The OVCD shall be installed between the mains and the UPS. It not only disconnects the live wire between the mains and the UPS in case of abnormal high voltage, but also supports input voltage surge absorption.



Technical specifications:

Dimensions (WxDxH)	290 x 75 x 43,5 mm
Weight	0,82 kg
Input voltage range	55 - 325 ± 10 V
Input voltage recovery	65 - 315 ± 10 V
Input/Output current	10A
Input connection	IEC C14
Output connection	IEC C13
Operating temperature	0-50°C
Operating humidity	5-95%
Operating elevation	0 to 1000 m



Applicable to UPS:

- N, MX, R, RT series 1kVA.



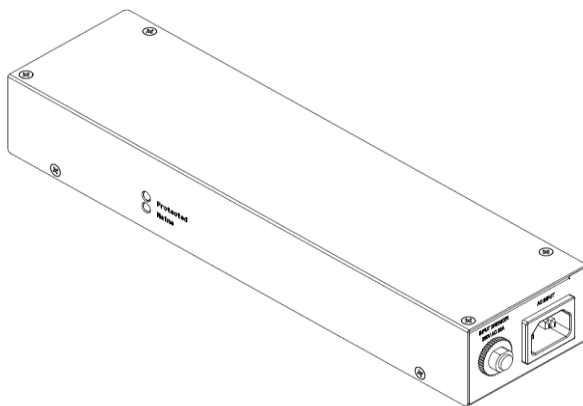
Over voltage cutoff device for N / R / RT 2-3kVA

Back to: [MX series](#) / [N series](#) / [R series](#) / [RT 1-3 kVA](#) / [RT 5-10 kVA](#)

PN: PDB2211A251035

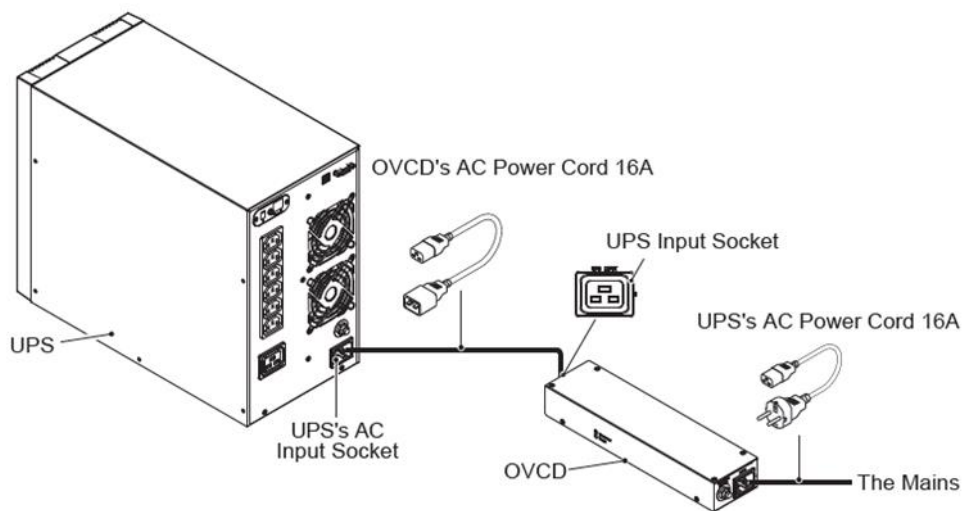
SAP NAME: OVCD-16A WITH SURGE PROTECTION

Description: Over voltage cutoff device (OVCD) prevents the abnormal high voltage from entering into and damaging the UPS. The OVCD shall be installed between the mains and the UPS. It not only disconnects the live wire between the mains and the UPS in case of abnormal high voltage, but also supports input voltage surge absorption.



Technical specifications:

Dimensions (WxDxH)	290 x 75 x 43,5 mm
Weight	0,9 kg
Input voltage range	55 - 325 ± 10 V
Input voltage recovery	65 - 315 ± 10 V
Input/Output current	16A
Input connection	IEC C20
Output connection	IEC C19
Operating temperature	0-50°C
Operating humidity	5-95%
Operating elevation	0 to 1000 m



Applicable to UPS:

- N, MX,R, RT series 2-3kVA.



Maintenance bypass box for R / RT 1kVA

Back to: [MX series](#) / [N series](#) / [R series](#) /
[RT 1-3 kVA](#) / [RT 5-10 kVA](#)

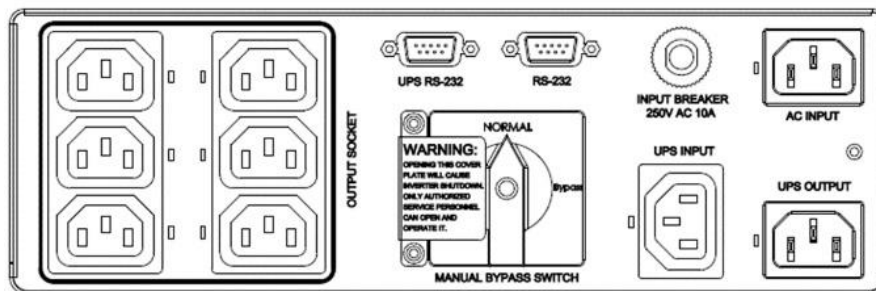
PN: PDB1211A230035

SAP NAME: MANUAL BYPASS BOX FOR R1K

Description: Maintenance (manual) bypass box for single UPS, R / RT series 1kVA.

Technical specifications:

Dimensions (WxDxH)	270 x 75 x 88 mm
Weight	1,1kg
Input/Output voltage	200/208/220/230/240V
Input/Output current	10A
Input connection	IEC C14
Output connection	IEC C13 x 6
Operating temperature	0-40°C
Operating humidity	5-95%
Operating elevation	0 to 1000 m



Applicable to UPS:

- R series 1kVA.
- RT series 1kVA.



Maintenance bypass box for R / RT 2-3kVA

Back to: [MX series](#) / [N series](#) / [R series](#) /
[RT 1-3 kVA](#) / [RT 5-10 kVA](#)

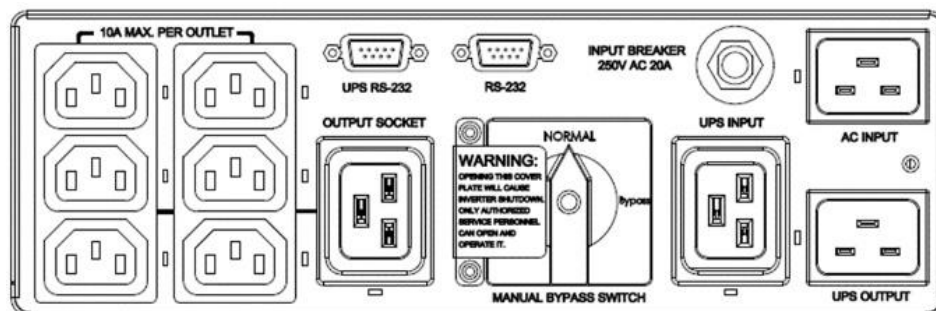
PN: PDB1211A231035

SAP NAME: MANUAL BYPASS BOX FOR R2K&3K

Description: Maintenance (manual) bypass box for single UPS, R / RT series 2,3kVA.

Technical specifications:

Dimensions (WxDxH)	270 x 75 x 88 mm
Weight	1,2kg
Input/Output voltage	200/208/220/230/240V
Input/Output current	16A
Input connection	IEC C20
Output connection	IEC C13 x 6, IEC C19 x 1
Operating temperature	0-40°C
Operating humidity	5-95%
Operating elevation	0 to 1000 m



Applicable to UPS:

- R series 2,3kVA.
- RT series 2,3kVA.



Maintenance bypass box for single RT 5-10kVA

Back to: [MX series](#) / [N series](#) / [R series](#) /
[RT 1-3 kVA](#) / [RT 5-10 kVA](#)

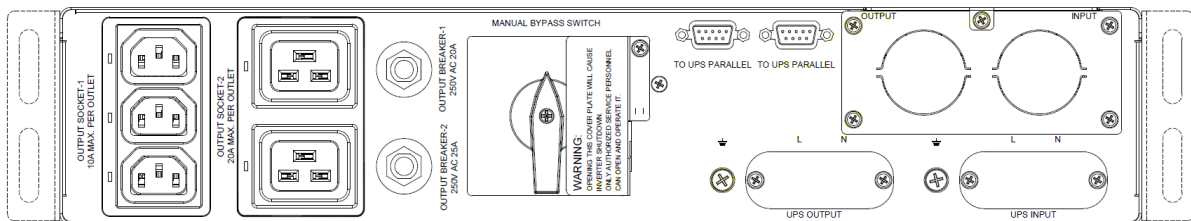
PN: PDB1511A531035

SAP NAME: MANUAL BYPASS BOX FOR SINGLE (RT8/10K)

Description: Maintenance (manual) bypass box for single UPS installation, capacity up to 10kVA. Contains 2 output sockets groups: 3 x C13 and 2 x C19.

Technical specifications:

Dimensions (WxDxH)	440 x 120 x 88 mm
Weight	4kg
Input/Output voltage	200/208/220/230/240V
Output current	63A
Manual bypass switch	63A/250V
Operating temperature	0-40°C
Operating elevation	0 to 2000 m



Applicable to UPS:

- RT series 5-10kVA.



Maintenance bypass box for parallel RT 5-10kVA

Back to: [MX series](#) / [N series](#) / [R series](#) /
[RT 1-3 kVA](#) / [RT 5-10 kVA](#)

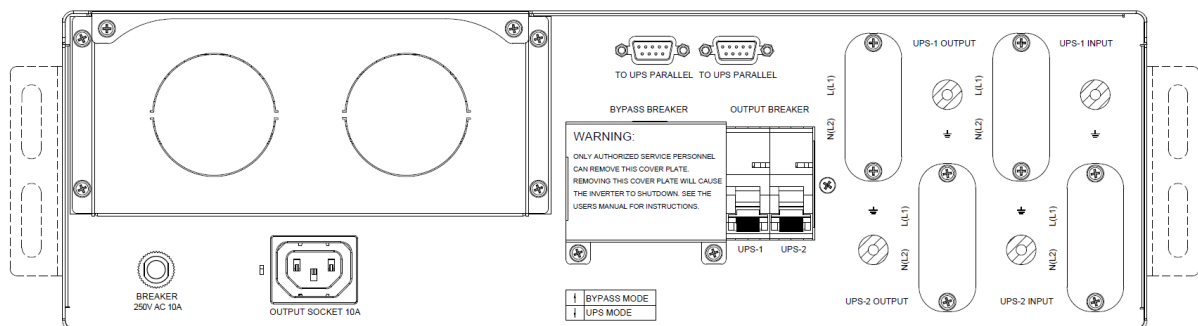
PN: PDB1512A511035

SAP NAME: MANUAL BYPASS BOX FOR PARALLEL RT8/10K

Description: Maintenance (manual) bypass box for two parallel UPS installation, capacity up to 10kVA. Box can be used only for redundant parallel connection. Bypass box is also possible to connect to both UPS by parallel cables and UPS are receiving status of manual bypass breaker.

Technical specifications:

Dimensions (WxDxH)	440 x 120 x 130 mm
Weight	4,8kg
Input/Output voltage	200/208/220/230/240V
Input/Output current	63A
Manual bypass switch	63A/250V
Operating temperature	0-40°C
Operating elevation	0 to 2000 m



Applicable to UPS:

- RT series 5-10kVA.



Battery cabinet 2U for RT 5/6 kVA

Back to: [MX series](#) / [N series](#) / [R series](#) /
[RT 1-3 kVA](#) / [RT 5-10 kVA](#)

PN: BBU161B107035

SAP NAME: BATT CABINET 16-1-7 RT5/6K WB

Description: External battery cabinet 2U for extended runtime model RT 5-10 kVA UPS. Battery cabinet contains 16 pcs of 12V/27W batteries (main supply – BB SHR7-12, faston T2 terminal) with nominal voltage 192V. Battery cable is included.



Technical specifications:

Dimensions (WxDxH)	440 x 565 x 88,2 mm
Weight	39,2 kg
Nominal battery voltage	192VDC
Battery type	BB SHR7-12 (12V/27W)
Battery no.	16 pcs (1 string of 16 batteries)
Protection	2P breaker 63A/250Vdc
Connector	SAS50 battery connector

Runtime table:

UPS	Load %	25	50	75	100
	UPS load (W)	900	2250	3150	4500
RT 5 kVA + 1 EBC	Backup (min)	35,2	15,2	7,8	5,1
RT 5 kVA + 2 EBC	Backup (min)	61,0	27,0	16,5	11,0
RT 5 kVA + 3 EBC	Backup (min)	96,0	45,5	28,0	19,5
RT 5 kVA + 4 EBC	Backup (min)	131,0	63,5	40,0	28,5
RT 5 kVA + 5 EBC	Backup (min)	166,5	82,0	52,5	37,5
	UPS load (W)	1080	2700	3780	5400
RT 6 kVA + 1 EBC	Backup (min)	24,3	9,6	5,6	3,1
RT 6 kVA + 2 EBC	Backup (min)	50,0	22,0	13,0	8,5
RT 6 kVA + 3 EBC	Backup (min)	79,5	37,0	22,5	15,5
RT 6 kVA + 4 EBC	Backup (min)	109,0	52,0	32,5	22,5
RT 6 kVA + 4 EBC	Backup (min)	137,0	67,0	42,5	30,0

Applicable to UPS:

- RT series 5/6 kVA.



Empty battery cabinet 2U for RT 5/6 kVA

Back to: [MX series](#) / [N series](#) / [R series](#) /
[RT 1-3 kVA](#) / [RT 5-10 kVA](#)

PN: GES161B107035-N

SAP NAME: UPS EBC 2U NO BATTERY (RT5/6K)

Description: External battery cabinet 2U for RT 5/6 kVA UPS for extended backup time without battery. Inside the cabinet is space for 16 pcs of 12V/5,5Ah batteries (LxWxH size: 90x70x102 mm) with nominal voltage 192V. Battery interconnection cables and output cable with SAS50 connectors are included.



Technical specifications:

Dimensions (WxDxH)	440 x 565 x 88,2 mm
Weight	9 kg
Nominal battery voltage	192VDC
Battery type	No battery
Battery no.	16 pcs (1 string of 16 batteries)
Protection	2P breaker 63A/250Vdc
Connector	SAS50 battery connector

Applicable to UPS:

- RT series 5/6 kVA.



Battery cabinet 3U for RT 5-10 kVA

Back to: [MX series](#) / [N series](#) / [R series](#) /
[RT 1-3 kVA](#) / [RT 5-10 kVA](#)

PN: BBU201B109035

SAP NAME: BATT CABINET 20-1-9 RT8/10K WB

Description: External battery cabinet 3U for extended runtime model RT 5-10 kVA UPS. Battery cabinet contains 20 pcs of 12V/9Ah batteries (main supply – BB HR9-12-T2, faston T2 terminal) with nominal voltage 240V. Battery cable is included.



Technical specifications:

Dimensions (WxDxH)	440 x 650 x 130 mm
Weight	67 kg
Nominal battery voltage	240 VDC
Battery type	BB HR9-12-T2 (9Ah)
Battery no.	20 pcs (1 string of 20 batteries)
Protection	2P breaker 63A/250Vdc
Connector	SAS50 battery connector

Runtime table:

UPS	Load %	25	50	75	100
	UPS load (W)	1250	2500	3750	5000
RT 5 kVA + 1 EBC	Backup (min)	50,0	18,5	10,3	7,3
RT 5 kVA + 2 EBC	Backup (min)	123,5	53,2	30,0	19,3
RT 5 kVA + 3 EBC	Backup (min)	199,5	91,0	54,2	36,0
RT 5 kVA + 4 EBC	Backup (min)	276,4	130,0	79,5	54,5
	UPS load (W)	1500	3000	4500	6000
RT 6 kVA + 1 EBC	Backup (min)	39,0	14,2	8,2	6,0
RT 6 kVA + 2 EBC	Backup (min)	100,5	41,4	22,5	14,5
RT 6 kVA + 3 EBC	Backup (min)	164,4	72,5	42,0	27,5
RT 6 kVA + 4 EBC	Backup (min)	228,5	105,0	63,0	42,5
	UPS load (W)	2000	4000	6000	8000
RT 8 kVA + 1 EBC	Backup (min)	36,3	15,6	9,3	5,1
RT 8 kVA + 2 EBC	Backup (min)	71,0	27,0	14,5	9,6
RT 8 kVA + 3 EBC	Backup (min)	119,0	49,5	27,5	17,5
RT 8 kVA + 4 EBC	Backup (min)	167,5	73,5	42,5	27,5
RT 8 kVA + 5 EBC	Backup (min)	217,0	98,0	58,0	39,0
	UPS load (W)	2500	5000	7500	10000
RT 10 kVA + 1 EBC	Backup (min)	30,2	11,9	6,2	3,7
RT 10 kVA + 2 EBC	Backup (min)	53,0	19,4	10,5	7,4
RT 10 kVA + 3 EBC	Backup (min)	91,0	36,0	19,5	12,5
RT 10 kVA + 4 EBC	Backup (min)	130,0	54,8	30,5	19,5
RT 10 kVA + 5 EBC	Backup (min)	170,0	74,0	42,5	28,0

Applicable to UPS:

- RT series 5-10 kVA (internal charger: @240VDC max 6A, @192VDC max 8A).



Empty battery cabinet 3U for RT 5-10 kVA

Back to: [MX series](#) / [N series](#) / [R series](#) /
[RT 1-3 kVA](#) / [RT 5-10 kVA](#)

PN: GES201B109035-N

SAP NAME: UPS EBC 3U NO BATTERY (RT8/10K)

Description: External battery cabinet 3U for extended runtime model RT 5-10 kVA UPS without battery. Inside the cabinet is space for 20 pcs of 12V/9Ah batteries (LxWxH size: 151x65x94 mm) with nominal voltage 240V. Battery interconnection cables and output cable with SAS50 connectors are included.



Technical specifications:

Dimensions (WxDxH)	440 x 650 x 130 mm
Weight	14,5 kg
Nominal battery voltage	240VDC
Battery type	No battery
Battery no.	20 pcs (1 string of 20 batteries)
Protection	2P breaker 63A/250Vdc
Connector	SAS50 battery connector

Applicable to UPS:

- RT series 5-10 kVA (internal charger: @240VDC max 6A, @192VDC max 8A).



RT 5-10kVA Li-ion EBC chassis

Back to: [MX series](#) / [N series](#) / [R series](#) /
[RT 1-3 kVA](#) / [RT 5-10 kVA](#)

PN: GES011B704035

SAP NAME: UPS SUPPORT KIT 1-1-2 RT 10K (EBC) WB

Description: Li-ion EBC chassis for RT series 5-10kVA. Its empty cabinet chassis without battery module.

Cabinet dimensions: 440 x 646 x 88mm mm (WxDxH)

Weight: 12 kg empty cabinet chassis without battery module



Applicable to UPS:

- RT series 5-10kVA (1 EBC chassis has space for two Li-ion battery modules).



RT 5-10kVA Li-ion battery module

Back to: [MX series](#) / [N series](#) / [R series](#) /
[RT 1-3 kVA](#) / [RT 5-10 kVA](#)

PN: 099114191A

SAP NAME: BATTERY PACK LI-ION 189V 4.1AH

Description: Li-ion battery module for RT-series 5-10kVA. 1 or 2 of battery modules can be installed in the chassis.



Applicable to UPS:

- RT series 5-10kVA (1 EBC chassis has space for two Li-ion battery modules).



Power distribution unit – metered, 1phase, 16A

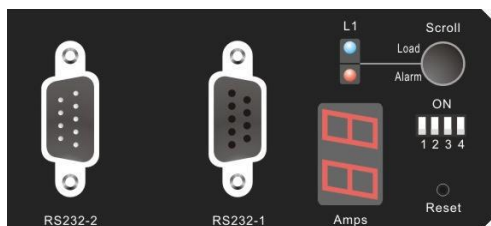
Back to: [MX series](#) / [N series](#) / [R series](#) /
[RT 1-3 kVA](#) / [RT 5-10 kVA](#)

PN: PDU1311A2710001

SAP NAME: F PDU I=230/240V 1PH 16A H-R

Description: Power distribution unit for standard rack cabinet installation. PDU provides optimal power distribution for devices supplied by UPS. Metered PDU with 2xRS232 interface, display, LEDs and optional SNMP card (P/N: 3915100766-S00).

PDU dimensions:	48x1250x50/90 mm (WxHxD)
Weight:	4,56 kg
Input:	230/240V, IEC309-16A-3W plug
Output:	200-240V, IEC320 C13 (24x) and IEC320 C19 (3x)
Protection:	20A/2P breaker
Display:	current in Amperes for selected load group
LEDs:	alarm conditions



Applicable to UPS (UPS output power distribution required):

- RT series.
- MX series.
- R series.
- N series.

SNMP card for PDU



Power distribution unit – metered, 1phase, 32A

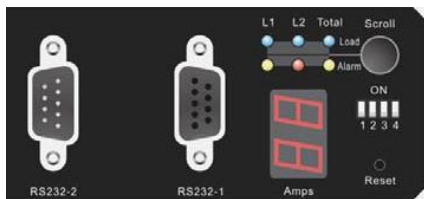
Back to: [MX series](#) / [N series](#) / [R series](#) /
[RT 1-3 kVA](#) / [RT 5-10 kVA](#)

PN: PDU1315A2810001

SAP NAME: F PDU I=230/240V 1PH 32A H-R

Description: Power distribution unit for standard rack cabinet installation. PDU provides optimal power distribution for devices supplied by UPS. Metered PDU with 2xRS232 interface, display, LEDs and optional SNMP card (P/N: 3915100766-S00). Each load group is protected by branch circuit breaker.

PDU dimensions:	48x1250x50/90 mm (WxHxD)
Weight:	5,44 kg
Input:	230/240V, IEC309-32A-3W plug
Output:	200-240V, IEC320 C13 (24x) and IEC320 C19 (4x)
Protection:	2 x 20A/2P breaker
Display:	current in Amperes for selected load group
LEDs:	alarm conditions



Applicable to UPS (UPS output power distribution required):

- RT series 5-10kVA.

SNMP card for PDU



Power distribution unit – basic, 1phase, 32A

Back to: [MX series](#) / [N series](#) / [R series](#) /
[RT 1-3 kVA](#) / [RT 5-10 kVA](#)

PN: PDU5315A2800000

SAP NAME: F PDU I=230/240V 1PH 32A H-RACK

Description: Power distribution unit for standard rack cabinet installation. PDU provides optimal power distribution for devices supplied by UPS.

Basic PDU without metering.

Each load group is protected by branch circuit breaker.

PDU dimensions: 48x1250x50/90 mm (WxHxD)

Weight: 4,9 kg

Input: 230/240V, IEC309-32A-3W plug

Output: 200-240V, IEC320 C13 (24x) and IEC320 C19 (4x)

Protection: 2 x 20A/1P breaker

Applicable to UPS (UPS output power distribution required):

- RT series 5-10kVA



Power distribution unit – basic 1U, 1phase, 16A

Back to: [MX series](#) / [N series](#) / [R series](#) /
[RT 1-3 kVA](#) / [RT 5-10 kVA](#)

PN: PDU7311A1200000

SAP NAME: F PDU I=230/240V 1PH 16A 1U

Description: Power distribution unit for standard rack cabinet installation. PDU provides optimal power distribution for devices supplied by UPS.
Basic PDU without metering.
Load is protected by 20A output circuit breaker.

PDU dimensions:	440x44x55 mm (WxHxD)
Weight:	1,48kg
Input:	220/230/240V, IEC309-16A-3W plug
Output:	200-240V, IEC320 C13 (12x)
Protection:	20A/1P breaker



Applicable to UPS (UPS output power distribution required):

- RT series.
- MX series.
- R series.
- N series.



MX Series, Single Phase, 1,1 / 2 / 3 kVA

Back to: [MX series / N series / R series / RT 1-3 kVA / RT 5-10 kVA](#)



The Amplon MX series is a line-interactive UPS providing sine-wave quality ideally suited for devices in small and medium businesses. Automatic voltage regulator (AVR) delivers stable voltage while providing higher availability. It is available in either rack or tower configuration to fit multiple applications such as servers, networking, VoIP and telecommunications.



The Amplon MX features excellent normal mode efficiency and high output power factor, resulting in a greater power supply for critical loads at significantly less operating cost.

Features:

- Hot swappable battery pack for easy maintenance.
- Automatic voltage regulator (AVR) delivers stable output voltage.
- Wide input voltage range reduces battery discharge occurrence and extends battery life.
- Battery starts when utility power is not present.
- Self-test for battery replacement warning.
- Rack or tower configuration in 2U size cabinet.
- Communication slot for various smart cards to support various applications.
- Intelligent management software connectivity via RS232 or USB port.
- High output power factor 0.9 provides more real power to critical loads.
- High efficiency online mode can reach 98% for 1,1/2kVA and 98,5% for 3kVA supporting operating cost savings.
- Automatic fan-speed control function lowers noise and prolongs fan life under different operation modes with lower speed.
- Programmable outlets.

UPS package content:

- USB cable, input power cord, tower stand, bracket ears, test report, user manual.



N Series, Single Phase, 1/2/3 kVA

Back to: [MX series](#) / [N series](#) / [R series](#) / [RT 1-3 kVA](#) / [RT 5-10 kVA](#)

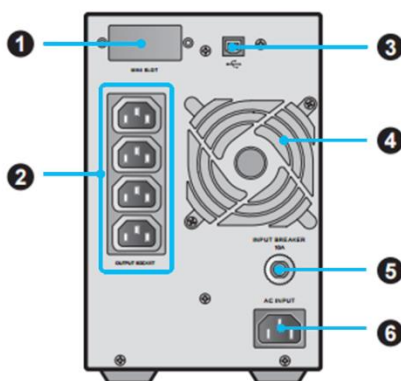


N series is a true online double-conversion UPS that can provide your critical equipment with reliable, stable sine wave power. It features significant advantages, including an output power factor of 0.9 and up to 93% AC-AC efficiency for greater energy savings. N series provides a safe power supply guaranteed for mission critical applications such as work stations, POS, ATMs, medical equipment, and more.

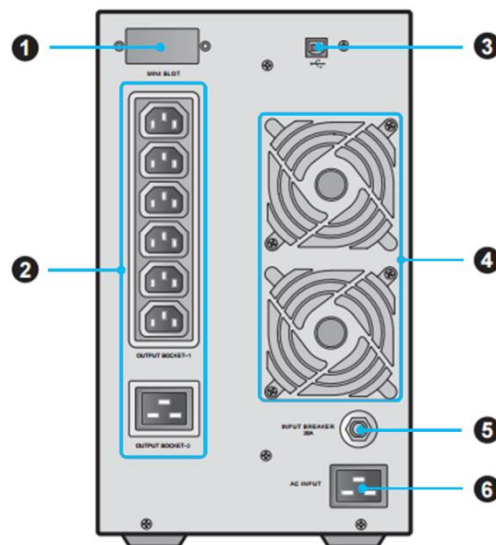
Features:

- True online double-conversion topology and zero transfer time to battery ensure high reliability.
- Advanced DSP (Digital Signal Processor) controller for fast computation capability and a simplified control circuit for enhanced stability.
- Wide input voltage range allows the UPS to work in harsh electrical environments.
- Generator compatibility ensures continuous and reliable power.
- Excellent local communications through LCD display
- Intelligent battery management maximizes battery performance and sustains battery life
- Mini slot and USB port enhance monitoring and manageability

1. Mini Slot
2. Output Sockets
3. USB Port
4. Fans
5. Input Breaker
6. AC Input Socket



1 kVA



2/ 3 kVA

UPS package content:

- UPS, power cord, test report, user manual.



R Series, Single Phase, 1/2/3 kVA

Back to: [MX series](#) / [N series](#) / [R series](#) /
[RT 1-3 kVA](#) / [RT 5-10 kVA](#)

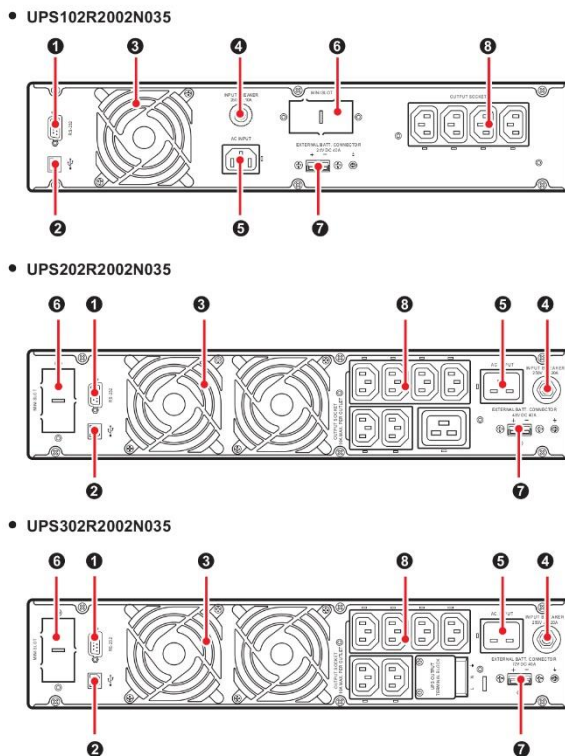


R series is an online double-conversion rack-mountable UPS providing consistent sine-wave power to critical equipment and reliable protection for IT equipment and data centers.

R series offers an output power factor of 0.9 and a best-in-class AC-AC efficiency of up to 93% for greater energy savings.

Features:

- True online double-conversion topology provides zero transfer time to ensure maximum protection of the equipment
- Watch-dog design of the DSP increases reliability
- Cold-start capability provides temporary battery power when the utility power is out
- Operating temperature tolerance up to 50°C ensures critical loads' continuity
- The Maintenance Bypass Box offers load continuity during battery replacement or other upgrades
- Convertible rack and tower configuration in 2U size cabinet
- Excellent local communications through rotatable LCD display
- Intelligent management software connectivity via RS232, mini slot or USB port
- Wide input voltage range reduces the chance of using the battery and extends battery life
- Intelligent battery management sustains battery life and performance
- Fan speed control by load level and room temperature optimizes performance



1. RS-232 port
2. USB port
3. Fan(s)
4. Input breaker
5. AC input socket
6. Mini slot
7. External battery connector (1kVA: 24Vdc/40A, 2kVA: 48Vdc/40A, 3kVA: 72Vdc/40A)
8. Output sockets

UPS package content:

- R 1kVA: UPS, USB cable, input power cord 10A, output power cord 10A, battery cable, bracket ears, quick guide.
- R 2/3kVA: UPS, USB cable, input power cord 16A, output power cord 10A, output power cord 16A, battery cable, bracket ears, quick guide.



RT Series, Single Phase, 1/2/3 kVA

Back to: [MX series](#) / [N series](#) / [R series](#) / [RT 1-3 kVA](#) / [RT 5-10 kVA](#)

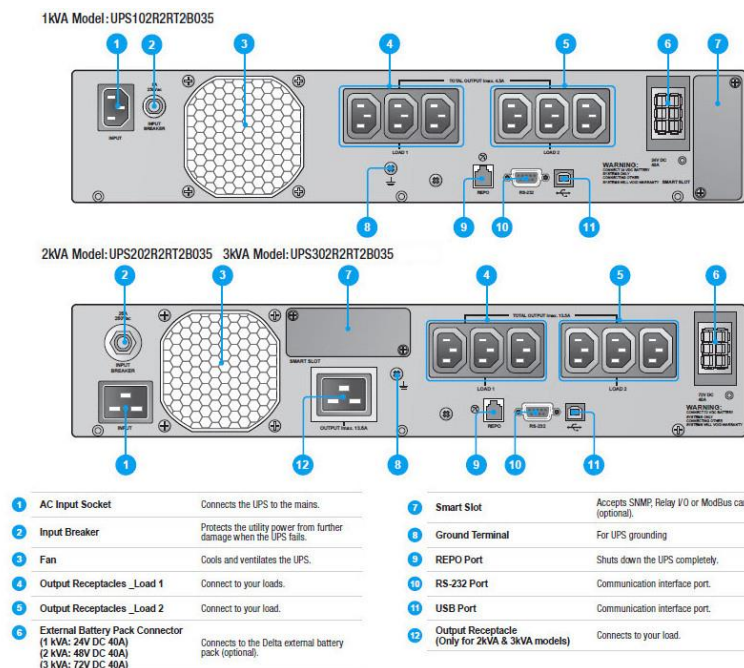


RT series is an online double-conversion UPS providing consistent sine-wave power to your critical equipment. It supports personal computers, networks, servers, VoIP and telecommunications.

RT series features an output power factor of 0.9 and best-in-class AC-AC efficiency up to 94% resulting in greater energy savings. Optional external battery pack can be connected for longer backup time.

Features:

- Watch-dog design of DSP increases reliability.
- Cold-start capability provides temporary battery power when the utility power is out.
- Fan failure detection alerts users to failed fans.
- Hot swappable batteries ensure continuous operation even when batteries are being replaced.
- Optional external battery pack for easy scaling of longer backup time.
- Programmed output sockets allow less-critical loads to be disconnected during blackouts and save energy for important loads.
- Wide input voltage range reduces the chance of using the battery and extends battery life.
- Intelligent battery management sustains battery life and performance.
- Fan speed control by load level maximizes efficiency and reduces audible noise.



UPS package content:

- RT 1kVA: USB cable, input power cord 10A, output power cord 10A, rail kit, bracket ear, test report, user manual, software CD.
- RT 2/3kVA: USB cable, input power cord 16A, output power cord 10A, output power cord 16A, rail kit, bracket ear, test report, user manual, software CD.



RT Series, 5/6/8/10 kVA – standard model

Back to: [MX series](#) / [N series](#) / [R series](#) /
[RT 1-3 kVA](#) / [RT 5-10 kVA](#)

Standard Runtime Model



The Amplon RT Series 5-10kVA is an online double-conversion UPS that provides best-in-class designs in compact 2U size, high power density, system efficiency, and versatile configurations to fulfill customers' requirements. Unity output power factor maximizes capacity for more critical loads, while outstanding energy savings can be achieved based on the AC-AC efficiency of up to 95.5% and 99% in ECO mode..

Along with the parallel capacity of up to four units, the new series is the ideal small power UPS for mission-critical applications, such as servers, data centers, telecommunications, and manufacturing.

Features:

- True online double-conversion topology provides 24/7 fulltime protection.
- Wide input voltage range allows the UPS to operate in harsh electrical environments and extends battery life
- AC-start and battery-start capabilities.
- Programmable load bank disconnects non-critical loads when a blackout occurs and reserves more battery power for critical loads
- Hot swappable batteries ensure continuous operation even when batteries are being replaced.
- Rack or tower configuration.
- Automatic fan speed control maximizes system efficiency and significantly reduces audible noise and prolongs battery life
- Fan failure detection sends early warnings to facilitate predictive maintenance of UPS
- Optional external battery pack for longer backup time.
- Unity output factor delivers more real power.
- High input power factor ($pf > 0.99$) and low harmonic distortion ($iTHD < 5\%$).
- The Power Distribution Box (PDB) and Maintenance Bypass Breaker (MBB), which are default to RT 5-10kVA Standard Runtime models, enable simple configuration
- Intelligent battery management to extend battery life and maximize battery performance. The battery aging detection monitors battery status for predictive maintenance, and the 3-stage charging mechanism keeps the battery from continuous float charging during the intermission stage to prolong battery life

UPS package content:

- UPS, USB cable, tower stands with expanders, bracket ears, test report, user manual, communication terminals, power cord end terminals.



RT Series, 5/6/8/10 kVA – extended model

Back to: [MX series](#) / [N series](#) / [R series](#) /
[RT 1-3 kVA](#) / [RT 5-10 kVA](#)

Extended Runtime Model



The Amplon RT Series 5-10kVA is an online double-conversion UPS that provides best-in-class designs in compact 2U size, high power density, system efficiency, and versatile configurations to fulfill customers' requirements. Unity output power factor maximizes capacity for more critical loads, while outstanding energy savings can be achieved based on the AC-AC efficiency of up to 95.5% and 99% in ECO mode..

External Battery Cabinet



Along with the parallel capacity of up to four units, the new RT series is the ideal small power UPS for mission-critical applications, such as servers, data centers, telecommunications, and manufacturing.

Features:

- True online double-conversion topology provides 24/7 fulltime protection.
- Wide input voltage range allows the UPS to operate in harsh electrical environments and extends battery life
- AC-start and battery-start capabilities.
- Programmable load bank disconnects non-critical loads when a blackout occurs and reserves more battery power for critical loads
- Hot swappable batteries ensure continuous operation even when batteries are being replaced.
- Rack or tower configuration.
- Automatic fan speed control maximizes system efficiency and significantly reduces audible noise and prolongs battery life
- Fan failure detection sends early warnings to facilitate predictive maintenance of UPS
- Optional external battery pack for longer backup time.
- Unity output factor delivers more real power.
- High input power factor (pf > 0.99) and low harmonic distortion (iTHD < 5%).
- Extended Runtime models support flexible battery quantity for battery investment optimization. And when one battery fails, it could be removed without replacing the entire battery string, reducing maintenance cost and efforts
- Intelligent battery management to extend battery life and maximize battery performance. The battery aging detection monitors battery status for predictive maintenance, and the 3-stage charging mechanism keeps the battery from continuous float charging during the intermission stage to prolong battery life

UPS package content:

- UPS, USB cable, battery cable, terminals, tower stand, bracket ears, test report, user manual.





The power behind competitiveness

Delta UPS Solutions

