



by Schneider Electric

User Manual Easy UPS Dry Contact Card VGL9901I

Important Safety Information

Read the instructions carefully and look at the equipment to become familiar with the device before trying to install, operate, service or maintain it. The following special messages may appear throughout this document or on the equipment to warn of potential hazards or to call attention to information that clarifies or simplifies a procedure.



The addition of this symbol to a Danger or Warning product safety label indicates that an electrical hazard exists that will result in personal injury if the instructions are not followed.



This is the safety alert symbol. It is used to alert you to potential personal injury hazards. Obey all safety messages that follow this symbol to avoid possible injury or death.

⚠ DANGER

DANGER indicates a hazardous situation which, if not avoided, **will result in** death or serious injury.

⚠ WARNING

WARNING indicates a hazardous situation which, if not avoided, **could result in** death or serious injury.

⚠ CAUTION

CAUTION indicates a hazardous situation which, if not avoided, **could result in** minor or moderate injury.

NOTICE

NOTICE is used to address practices not related to physical injury.

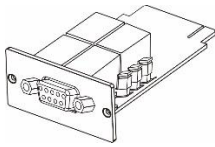
Product Description

The VGL9901I dry contact card provides dry contact signals for remotely managing the Easy UPS. To meet different application requirements, you set the signal (active open or active close) status on the card by setting a jumper. The card is applicable in the following applications:

- IBM servers, PCs, and workstations equipment.
- Automatic control industry equipment and communications applications.

Package Contents

The packaging is recyclable; save it for reuse or dispose of it properly.



(1)

Dry Contact Card



(1)

User manual

Disclaimer

APC by Schneider Electric is not responsible for damage sustained during reshipment of this product.



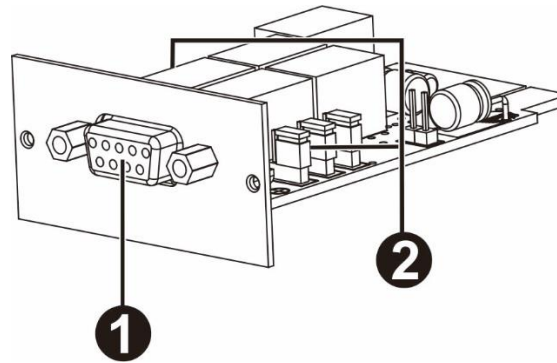
The Dry Contact Card is sensitive to static electricity. When handling the Dry Contact Card, touch only the end plate while using one or more of these electrostatic-discharge devices (ESDs): wrist straps, heel straps, toe straps, or conductive shoes.

Please recycle



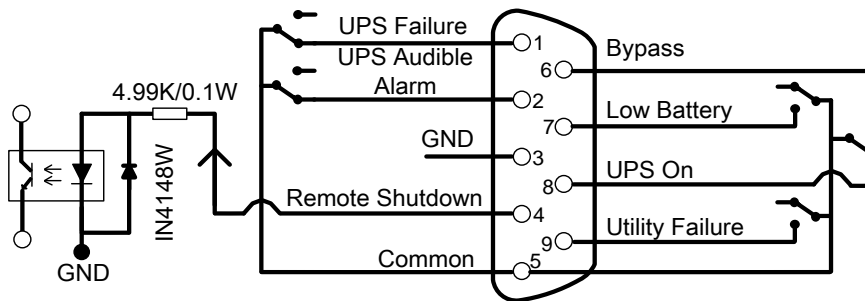
The shipping materials are recyclable. Save them for later use, or dispose of them appropriately.

Product Overview



1	DB-9 port	Connects Dry contact card to equipment for remote monitoring and control. See “DB-9 port”.
2	Jumper	See “Jumper setting”.

DB-9 Port



Pin Assignment

Pin #	Function	I/O
1	UPS Failure	O/P
2	UPS Audible Alarm	O/P
3	GND (Common for Pin 4)	Power Ground
4	Remote Shutdown	I/P
5	Common for Relays	Power Supply
6	Bypass Active	O/P
7	Low Battery	O/P
8	UPS On	O/P
9	Utility Failure	O/P

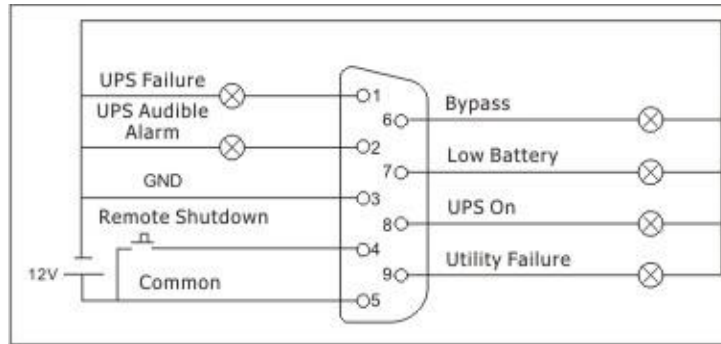
P.S. The shutdown pin (pin4 & pin3) only accepts 3-10s high level signal to perform the UPS shutdown actions after shutdown delay (It depends on UPS Setting and default setting is 180 seconds). Remote shutdown is only effective in battery mode, and the UPS will auto-restart at AC recovery.

Function Description

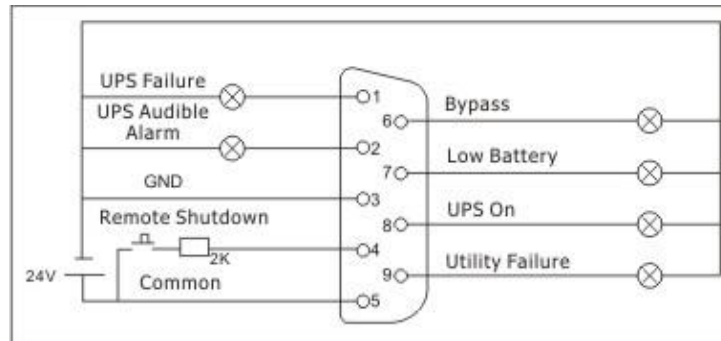
AC Status	AO Status	Reason
Pin 1 & Pin 5 connected	Pin 1 & Pin 5 disconnected	UPS failure
Pin 2 & Pin 5 connected	Pin 2 & Pin 5 disconnected	UPS failure, battery mode, low battery, bypass active
Pin 6 & Pin 5 connected	Pin 6 & Pin 5 disconnected	Bypass active
Pin 7 & Pin 5 connected	Pin 7 & Pin 5 disconnected	Battery voltage is low
Pin 8 & Pin 5 connected	Pin 8 & Pin 5 disconnected	UPS is in inverter mode
Pin 9 & Pin 5 connected	Pin 9 & Pin 5 disconnected	Utility failure

Applications

Below shows the circuit of basic application to implement monitoring and control.



User Interface for 12 V



User Interface for 24 V

Specifications

Electric	Rated voltage	12 VDC
	Rated current	200 mA
	Input Contact and & Output Relay	See “Rating specifications for input contact and output relays”
Physical	Dimensions with package Width x Height x Depth	166 mm (6.54in) x 48 mm (1.89in) x 124 mm (4.88in)
	Dimensions without package Width x Height x Depth	52 mm (2.05in) x 26 mm (1.02in) x 84 mm (3.31 in)
	Weight with package	0.114 kg (0.25 lb)
	Weight without package	0.05 kg (0.11 lb)
Temperature	Operating	0 to 40°C (32 to 104°F)
	Storage	-15 to 50°C (5 to 122°F)
Humidity	Operating	0 to 95% relative humidity, non-condensing

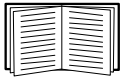
Rating Specifications for Input Contact and Output Relays

		Parameter	Symbol	Max.	Min.	Unit
Input contact	Resistor*	DC Current	IR	6	1	mA
	Diode	Reverse Voltage	VR	6	-	V
		Forward Current	IF	50	-	mA
		Peak Forward Current	IF (Peak)	1	-	A
Output relays	Relay	DC Voltage	VDC	24	-	V
		DC Current	IDC	1.0	-	A

Note: It's required to retain the DC current lower than 6mA. Otherwise, it's necessary to add one resistor within DC current limitation in the serial loop of Remote Shutdown. (e.g. 2K resistor with at least 0.1W rating power). Refer to diagrams in Application.

Installation

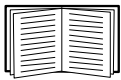
Install the dry contact card



You do not need to turn off power to install the dry contact card in a supported Easy UPS.



The Dry Contact Card is sensitive to static electricity. When handling the Dry Contact Card, touch only the end plate while using one or more of these electrostatic-discharge devices (ESDs): wrist straps, heel straps, toe straps, or conductive shoes.



For the location of the UPS Intelligent Card Slot, see the UPS User Manual.

1. Remove the cover of Intelligent Card Slot on the back of the UPS and retain the screws.
2. Slide the card into the open slot and secure with the screws from step 1. (See below chart)

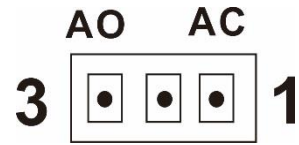


3. Use one 9-pin cable (not supplied) to connect UPS and equipment to implement the remote monitoring and control.

Settings

Jumper Setup

There are 6 jumpers on this dry contact card. There are AC and AO white silk printings on the top of each jumper to indicate pin1&2 in A.C and pin2&3 in A.O.



Dry contact signal	Jumper setup
ACTIVE CLOSE	<p>AO AC</p>
ACTIVE OPEN	<p>AO AC</p>

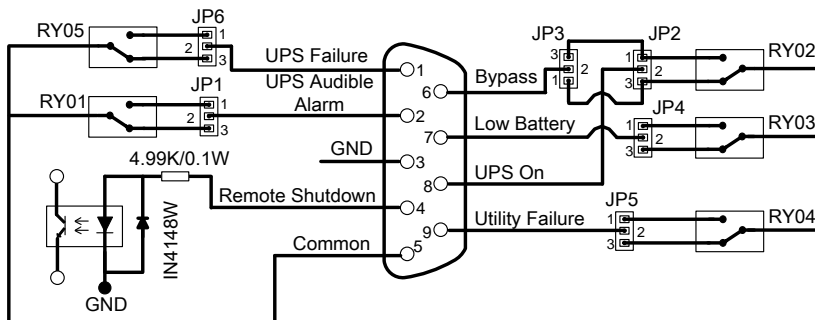
Jumper function

Jumper #	Description
JP 1	UPS alarm (P2 on DB-9)
JP 2	UPS on (P8 on DB-9)
JP 3	Bypass (P6 on DB-9)
JP 4	Low battery (P7 on DB-9)
JP 5	Utility failure (P9 on DB-9)
JP 6	UPS failure (P1 on DB-9)

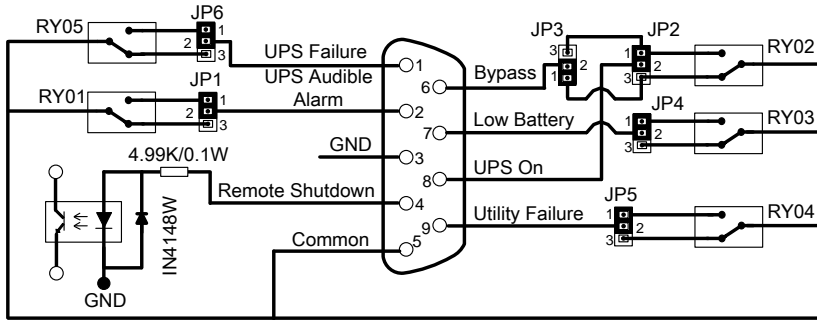
Internal Circuit Logic

Internal IC controller controls 5 relays for actions depending on the UPS status. Active-Close (A.C) terminal and Active-Open (A.O) terminal of each relay connect to pin 3 and pin 1 of a 3-pin connector respectively.

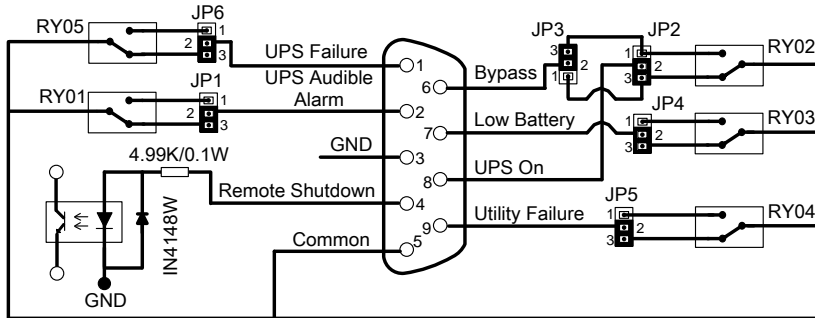
The pin 2 of the 3-pin connector connects to the signal pin of the DB9 interface connector. The 2-pin jumper can be plugged to the 3-pin connector to either short-circuit Pin1 & Pin2 (A.C) or short-circuit Pin3 & Pin2 (A.O).



Accordingly, if pin 1 short-circuits with pin 2 via the jumper, the status of dry contact signal will be ACTIVE CLOSE. Refer to below chart. When the signal is active, the signal pin on the DB9 connector will connect with the common pin (pin 5) via the relay.



If Pin 3 short-circuits with Pin 2 via the jumper, the status of dry contact signal will be ACTIVE OPEN. Refer to below chart. When the signal is active, the signal pin on the DB9 connector will disconnect with the common pin (pin 5) via the relay.



APC by Schneider Electric Worldwide Customer Support

Customer support for this or any other APC by Schneider Electric product is available at no charge in any of the following ways:

- Visit the APC by Schneider Electric website to access documents in the APC by Schneider Electric Knowledge Base and to submit customer support requests.
 - **www.apc.com** (Corporate Headquarters)
Connect to localized APC by Schneider Electric websites for specific countries, each of which provides customer support information.
 - **www.apc.com/support/**
Global support searching APC by Schneider Electric Knowledge Base and using e-support.
- Contact the APC by Schneider Electric Customer Support Center by telephone or e-mail.
 - Local, country specific centers: go to **www.apc.com/support/contact** for contact information.

For information on how to obtain local customer support, contact the APC by Schneider Electric representative or other distributor from whom you purchased your APC by Schneider Electric product.